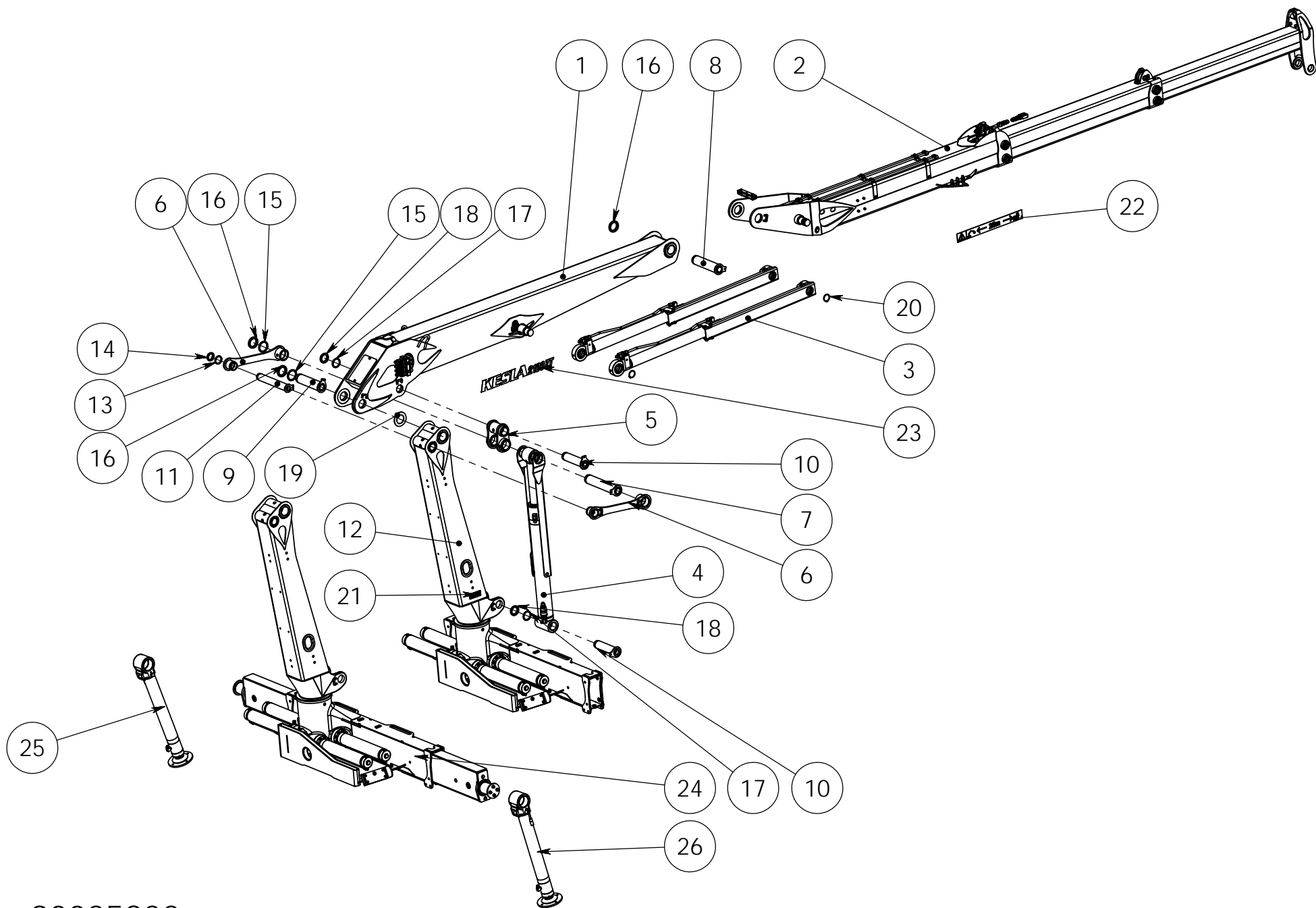


KESLA 2109Z, 2109ZT**Sisällysluettelo \ Innehållsförteckning \ Contents \ Inhaltsverzeichnis**

| | |
|---|----|
| Pääkokoospano \ Sammansättning \ Final assembly \ Zusammensetzung | 2 |
| Käätölaite \ Vridanordning \ Slew mechanism \ Schwenkwerk | 4 |
| Tukijalkavarustus \ Stödbensutrustning \ Stabilizers \ Stützfußbausrüstung | 8 |
| Nostopuomi \ Lyftbom \ Main lifting boom \ Hubarm | 26 |
| Siirtopuomisto \ Vipparm KESLA \ Outer boom \ Knickarm | 28 |
| Vetotanko varusteltuna \ Dragstång \ Inner link assy \ Mittleres Gelenk | 42 |
| Siirtopuomiston ketju \ Kedja \ Chain \ Kette kompl. \ 3x4 (77) | 44 |
| Siirtopuomiston ketju \ Kedja \ Chain \ Kette kompl. \ 3x4 (87) | 46 |
| Nostosylinteri varusteltuna \ Lyftcylinder utrustning \ Accessories for main lifting cylinder \ Ausrüstung für Hubzylinder | 48 |
| Nostosylinteri \ Lyftcylinder \ Main lifting cylinder \ Hubzylinder | 50 |
| Siirtosylinteri varusteltuna \ Vippcylinder utrustning \ Accessories for outer boom cylinder \ Ausrüstung für Knickarmzylinder | 52 |
| Siirtosylinteri \ Vippcylinder \ Outer boom cylinder \ Knickarmzylinder | 54 |
| Jatkeen sylinteri \ Utskjutscylinder \ Extension cylinder \ Ausschubzylinder \ | 56 |
| Tukijalkojen levityssylinteri \ Spridningscylinder \ Spreading cylinder \ Ausshubzylinder für Stützfüsse | 58 |
| Tukijalan sylinteri \ Stödbenscylinder \ Stabilizer cylinder \ Stützfußcylinder | 60 |
| Kiinnityssarja \ fastsättning kit \ Fastening kit \ Montagesatz | 62 |



90025832



SPARE PART LIST

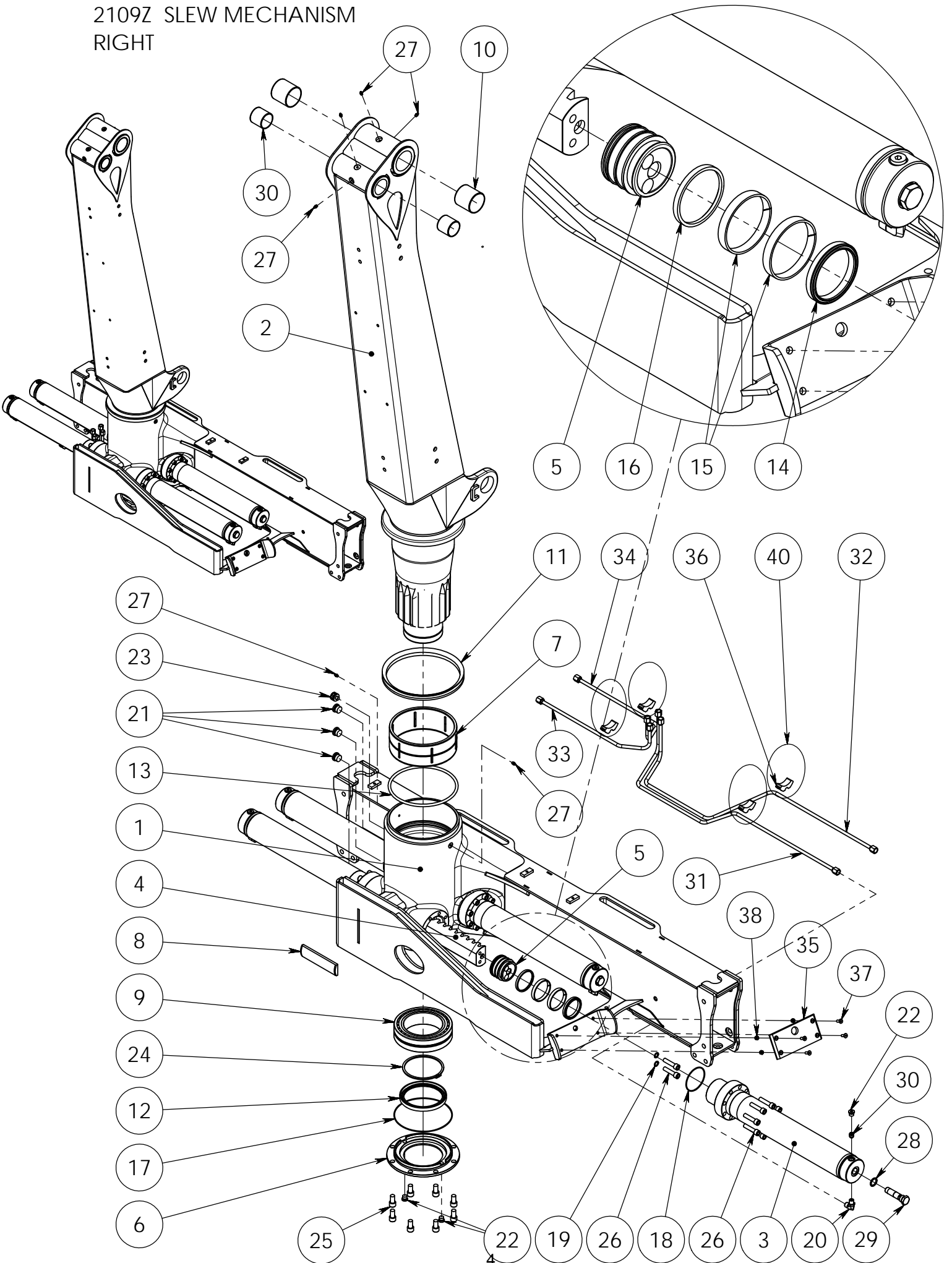
| | | | |
|---------------|---------------|----------|------------|
| Item code | 90025832 | Revision | - |
| Title | CRANE | Date | 30.10.2012 |
| Specification | 2109ZT L=9500 | | |

| Pos | Item code | Title | Specification | Pc | Nto Weight |
|-----|-----------|-----------------|---|----|------------|
| 1 | 90025636 | LIFT BOOM | 3520 RIGHT VAR | 1 | 271.54 |
| 2 | 90025642 | OUTER BOOM | L=6200 2-JATK | 1 | 380.03 |
| 3 | 90025549 | CYLINDER | 80/60X880 VAR | 2 | 69.1 |
| 4 | 90025891 | CYLINDER | 115/80 X 921 NOSTOSYLINTERI 2109Z | 1 | |
| 5 | 90025497 | DRAW BAR | VAR | 1 | 10.7 |
| 6 | 90025483 | LINK | L=560 HITS+KON | 2 | 7.97 |
| 7 | 90021057 | AXLE | 80-435 HITS | 1 | 11.71 |
| 8 | 90018761 | AXLE | 80/M75X2 -352 | 1 | 9.51 |
| 9 | 90015226 | AXLE | 80/M75-333 | 1 | 8.96 |
| 10 | 90015998 | AXLE | 70/M65X2-298 HITS | 2 | 6.75 |
| 11 | 90025504 | AXLE | 60/M55X2-432 | 1 | 7.04 |
| 12 | 90025629 | SLEW MECHANNISM | RIGHT | 1 | 664.81 |
| 13 | 90013698 | WASHER | 75/61-6 | 1 | 0.07 |
| 14 | 3020164 | NUT | KM11 NYLOC M55X2.0 | 1 | 0.17 |
| 15 | 90013697 | WASHER | 100/81-6 | 2 | 0.13 |
| 16 | 3020158 | NUT | KM15 NYLOC M75X2 | 3 | 0.35 |
| 17 | 90016000 | WASHER | 85/71-6 | 2 | 0.08 |
| 18 | 3020157 | NUT | KM13 NYLOC M65X2.0 | 2 | 0.26 |
| 19 | 90010011 | BEARING | 130/80.5 - 5 | 2 | 0.05 |
| 20 | 3060098 | SNAP RING | 60X3 DIN 471 AS | 6 | 0 |
| 21 | 3280507 | PLATE | MALLI CE (120X45) LIIMATTAVA TUOTEKILPI | 1 | 0.03 |
| 22 | 3281135 | DECAL | VAARA-ALUE 25 M, 730X80 | 2 | 0.1 |
| 23 | 3281544 | DECAL | KESLA 2109ZT | 2 | 0.07 |
| 24 | 90025649 | STABILIZER | L=3840 RIGHT | 1 | 111.86 |
| 25 | 90025603 | STABILIZER | 90/70X620 RIGHT (FIXED FOOT) | 1 | 63.26 |
| 26 | 90025604 | STABILIZER | 90/70X620 LEFT (FIXED FOOT) | 1 | 63.26 |

90025629

2109Z SLEW MECHANISM

RIGHT



| | | | |
|---------------|-----------------|----------|------------|
| Item code | 90025629 | Revision | A |
| Title | SLEW MECHANNISM | Date | 28.06.2012 |
| Specification | RIGHT | | |

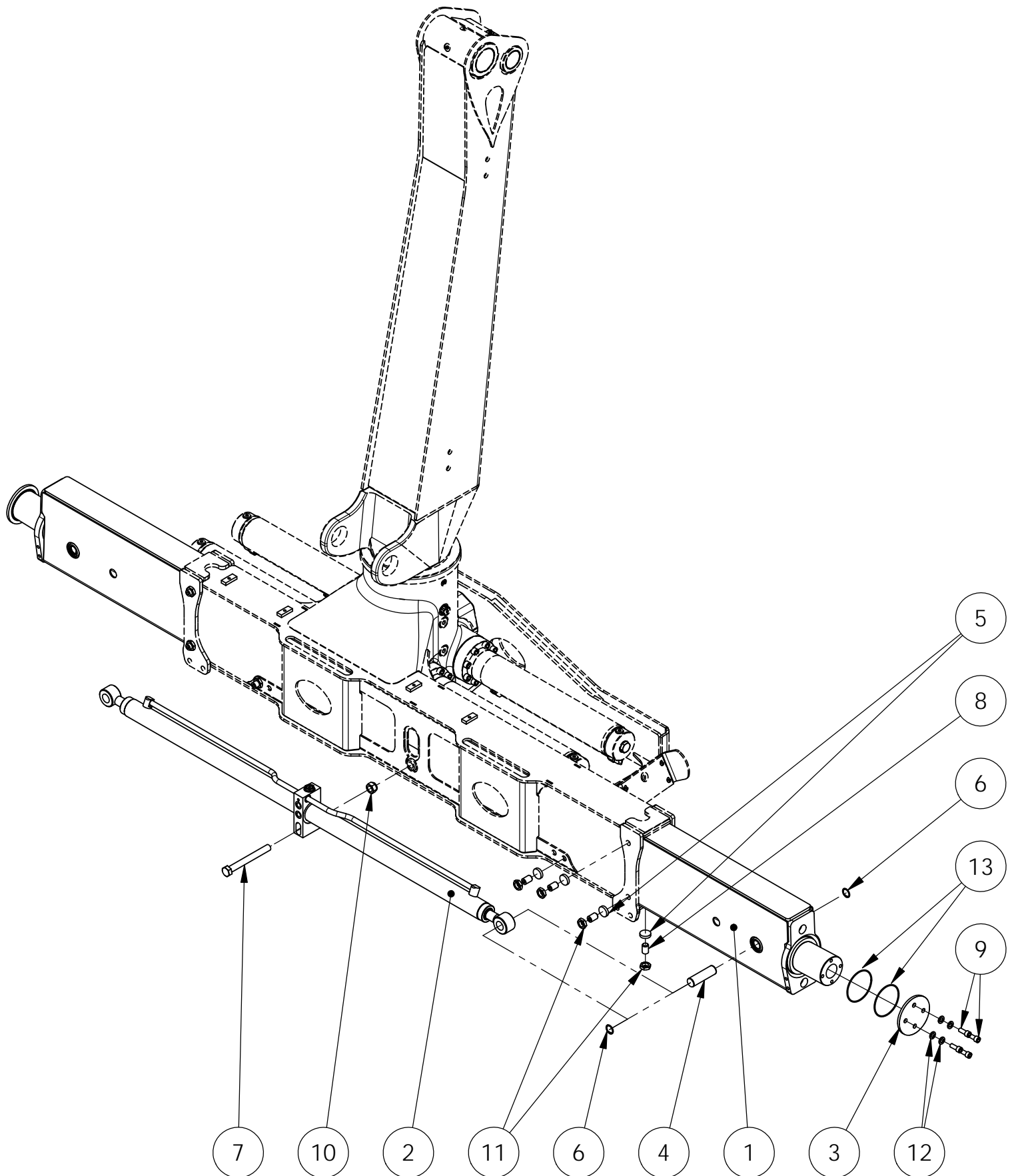
| Pos | Item code | Title | Specification | Pc | Nto Weight |
|-----|-----------|-------------------|-----------------------|----|------------|
| 1 | 90025622 | SLEW MECHANNISM | RUNKO OIKEA HITS | 1 | 284.07 |
| 2 | 90025474 | PILLAR | L=2390 HITS + KON | 1 | 239.11 |
| 3 | 90024152 | CYLINDER | 105/90-762 | 4 | 17.37 |
| 4 | 90025435 | RACK BAR | | 2 | 19.93 |
| 5 | 90024154 | PISTON | 90-67 | 4 | 2.14 |
| 6 | 90021820 | FLANGE | 280/150-28 | 1 | 4 |
| 7 | 90012821 | BEARING | 260/240-100 | 1 | 0.88 |
| 8 | 90025436 | BUSHING | 50X189 | 2 | 0.15 |
| 9 | 3100331 | ROLLER BEARING | 23030CC/W33 | 1 | 7.45 |
| 10 | 3100187 | BUSHING | WB 802 8080 | 2 | 0.41 |
| 11 | 3110930 | SEAL | VA-300 | 1 | 1.63 |
| 12 | 3110565 | SHAFT SEAL | 150X180X15 RST | 1 | 0.5 |
| 13 | 3110938 | SEAL | OR 250X10 70SHORE | 1 | 0.5 |
| 14 | 3110636 | PISTON SEAL | B7 90/75X12 | 4 | 0.16 |
| 15 | 3110637 | PISTON GUIDE | E/PWR 90/84X13 | 8 | 0.08 |
| 16 | 3110638 | WIPER SEAL | PPW 90/81.4X5.3 | 4 | 0.05 |
| 17 | 3110771 | O-RING | 219.5X3.0 70 SHORE | 1 | 0.04 |
| 18 | 3110639 | O-RING | 96X3.0 70 SHORE | 4 | 0.02 |
| 19 | 3030080 | WASHER | M14 | 8 | 0 |
| 20 | 3090630 | CONNECTOR (ANGLE) | 6310-06-08 | 4 | 0.1 |
| 21 | 3090209 | PLUG | | 3 | 0.08 |
| 22 | 3090210 | PLUG | | 6 | 0.03 |
| 23 | 3091042 | BREATHER | | 1 | 0.11 |
| 24 | 3060076 | SNAP RING | AS 150X4 DIN 471 | 1 | 0 |
| 25 | 3010700 | ALLEN SCREW | M16X30 8.8 ZN DIN 912 | 8 | 0 |
| 26 | 3010601 | ALLEN SCREW | M14X60 12.9 DIN 912 | 40 | 0 |
| 27 | 3050003 | GREASE NIPPLE | M8X1,25 DIN 71412 | 6 | 0 |
| 28 | 3110130 | USIT-SEAL | R-12 R 3/4" | 4 | 0.01 |
| 29 | 90023662 | DAMPER | D=21,8 | 4 | 0.31 |
| 30 | 3120363 | CHECK VALVE | | 4 | 0.02 |
| 31 | 3100194 | BUSHING | WB 802 6060 | 2 | 0.23 |
| 32 | 90024395 | HYDRAULIC PIPE | 1 RIGHT | 1 | 0.64 |
| 33 | 90024393 | HYDRAULIC PIPE | 2 RIGHT | 1 | 0.66 |
| 34 | 90024389 | HYDRAULIC PIPE | 3 RIGHT | 1 | 0.33 |
| 35 | 90024391 | HYDRAULIC PIPE | 4 RIGHT | 1 | 0.33 |
| 36 | 90018948 | GLIDE PAD | 100 X 220 | 1 | 0.22 |

| | | | |
|---------------|-----------------|----------|------------|
| Item code | 90025629 | Revision | A |
| Title | SLEW MECHANNISM | Date | 28.06.2012 |
| Specification | RIGHT | | |

| Pos | Item code | Title | Specification | Pc | Nto Weight |
|-----|-----------|-------------|------------------------|----|------------|
| 37 | 3090928 | FASTENER | | 4 | 0.22 |
| 38 | 3010300 | ALLEN SCREW | M8X25 10.9 ZN DIN 7991 | 4 | 0 |
| 39 | 3020001 | NUT | M8 ZN DIN 985 | 4 | 0.01 |
| 40 | 3090409 | TENSIONER | | 4 | |
| 41 | 3110640 | SEAL KIT | 90 | 1 | 0 |

90025612

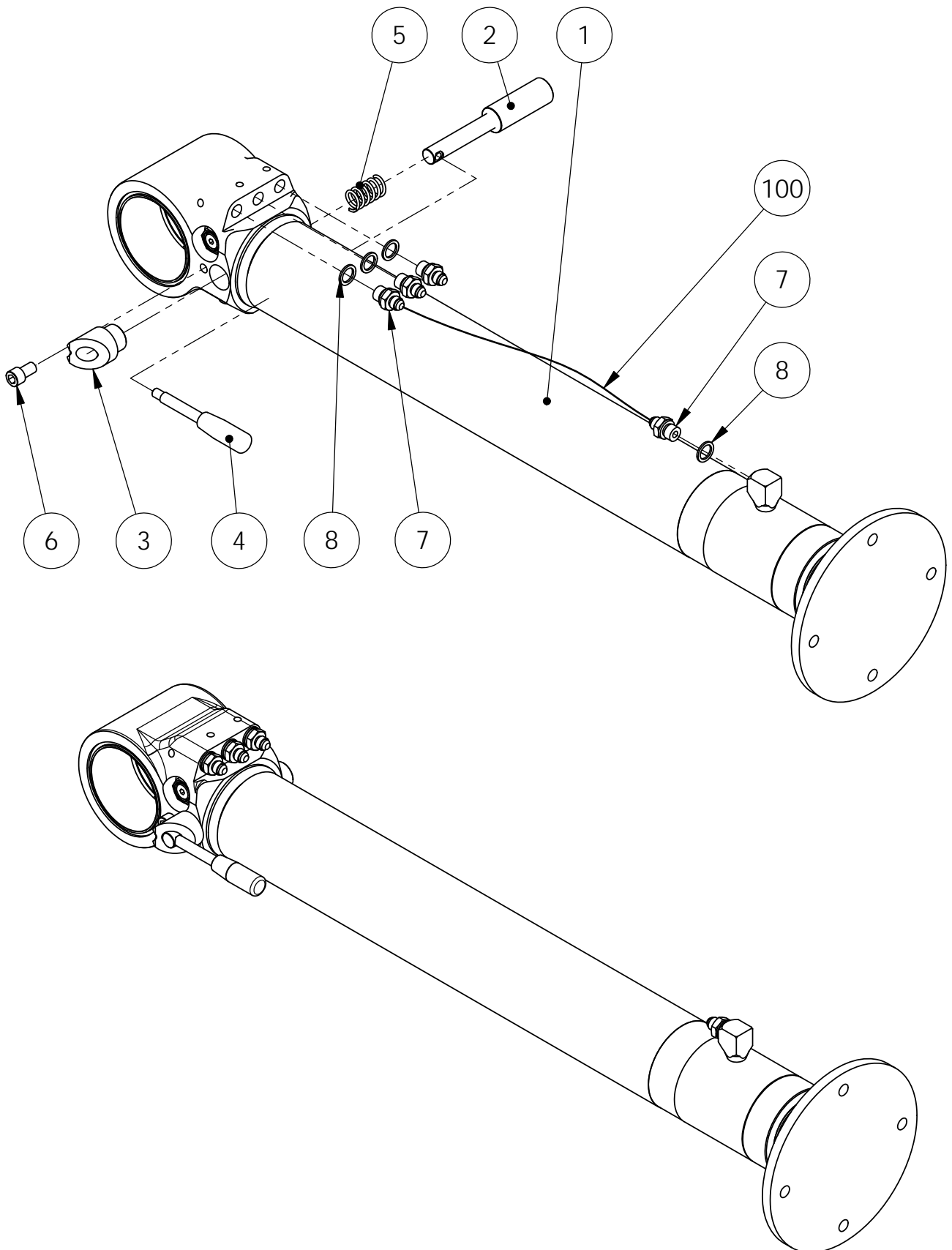
2109Z STABILIZER L=3840 LEFT/ RIGHT



| | | | |
|---------------|--------------------|----------|------------|
| Item code | 90025612 | Revision | - |
| Title | STABILIZER | Date | 20.06.2012 |
| Specification | L=3840 LEFT/ RIGHT | | |

| Pos | Item code | Title | Specification | Pc | Nto Weight |
|-----|-----------|--------------------|------------------------|----|------------|
| 1 | 90025449 | CONTROL ARM | HITS | 2 | 40.47 |
| 2 | 28864001 | SPREADING CYLINDER | 50/30X2X650 | 1 | 27.75 |
| 3 | 90011250 | FLANGE | 135 - 8 | 2 | 0.86 |
| 4 | 90013050 | AXLE | 30-102 | 2 | 0.57 |
| 5 | 90020807 | GLIDE PAD | 35 - 8 | 8 | 0.01 |
| 6 | 3060019 | SNAP RING | 30 DIN 472 | 4 | 0 |
| 7 | 3010224 | HEW SCREW | M20X180 8.8 ZN DIN 931 | 1 | 0 |
| 8 | 3010312 | ALLEN SCREW | M20X30 10.9 ZN DIN 913 | 8 | 0 |
| 9 | 3010246 | ALLEN SCREW | M12X30 8.8 ZN DIN 912 | 8 | 0 |
| 10 | 3020009 | NUT | M20 ZN DIN 985 | 1 | 0.07 |
| 11 | 3020014 | NUT | M20 ZN DIN 936 | 8 | 0 |
| 12 | 3030047 | WASHER | M12/13 ZN DIN 126 | 8 | 0.01 |
| 13 | 3110259 | O-RING | 104.5X3 90 SHORE | 4 | 0.02 |

90025603
90/70x620 RIGHT (FIXED FOOT)

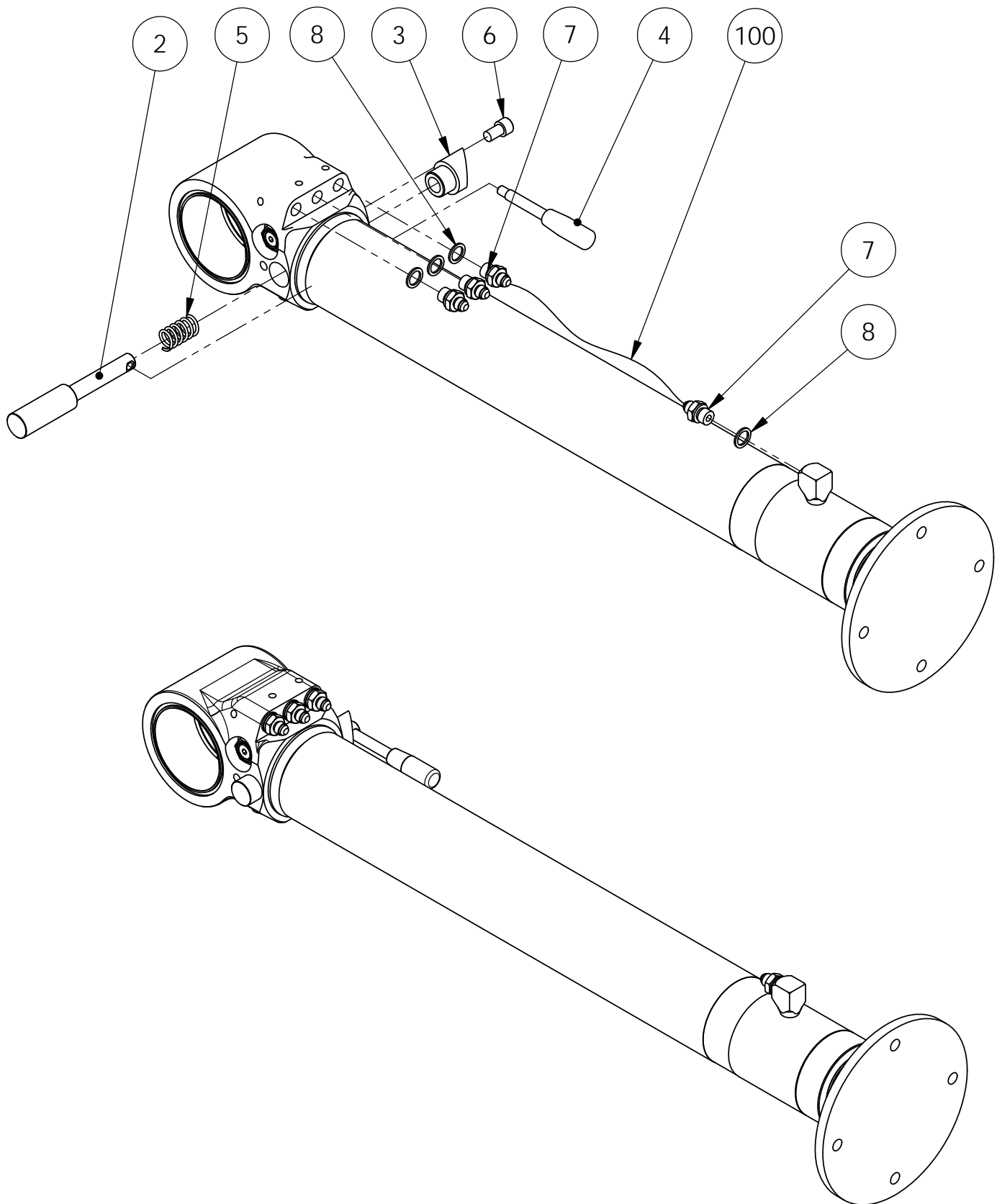


| | | | |
|---------------|--------------------------------|----------|------------|
| Item code | 90025603 | Revision | A |
| Title | STABILIZER | Date | 18.06.2012 |
| Specification | 90/70X620 RIGHT (FIXED FOOT) | | |

| Pos | Item code | Title | Specification | Pc | Nto Weight |
|-----|-----------|----------------|--|----|------------|
| 1 | 28943001 | CYLINDER | 90/70X620 | 1 | 61.43 |
| 2 | 90025017 | SPINDLE | 30/18-179 | 1 | 0.63 |
| 3 | 90025018 | SLEEVE | | 1 | 0.26 |
| 4 | 3301574 | LEVER | GN 310-12-125-E-NI M10 | 1 | 0.03 |
| 5 | 3300533 | SPRING | 18/45/7.6/6.88 -1643 SF-TF3 | 1 | 0.02 |
| 6 | 3010604 | ALLEN SCREW | M12X20 8.8 DIN 912 | 1 | 0 |
| 7 | 3090901 | CONNECTOR | 6010-06-06 | 4 | 0.05 |
| 8 | 3110040 | USIT-SEAL | R-06 R 3/8" | 4 | 0 |
| 100 | 3132961 | HYDRAULIC HOSE | A50005-06-06/241T-06/A50005-06-06S/L=730/TEX | 1 | |

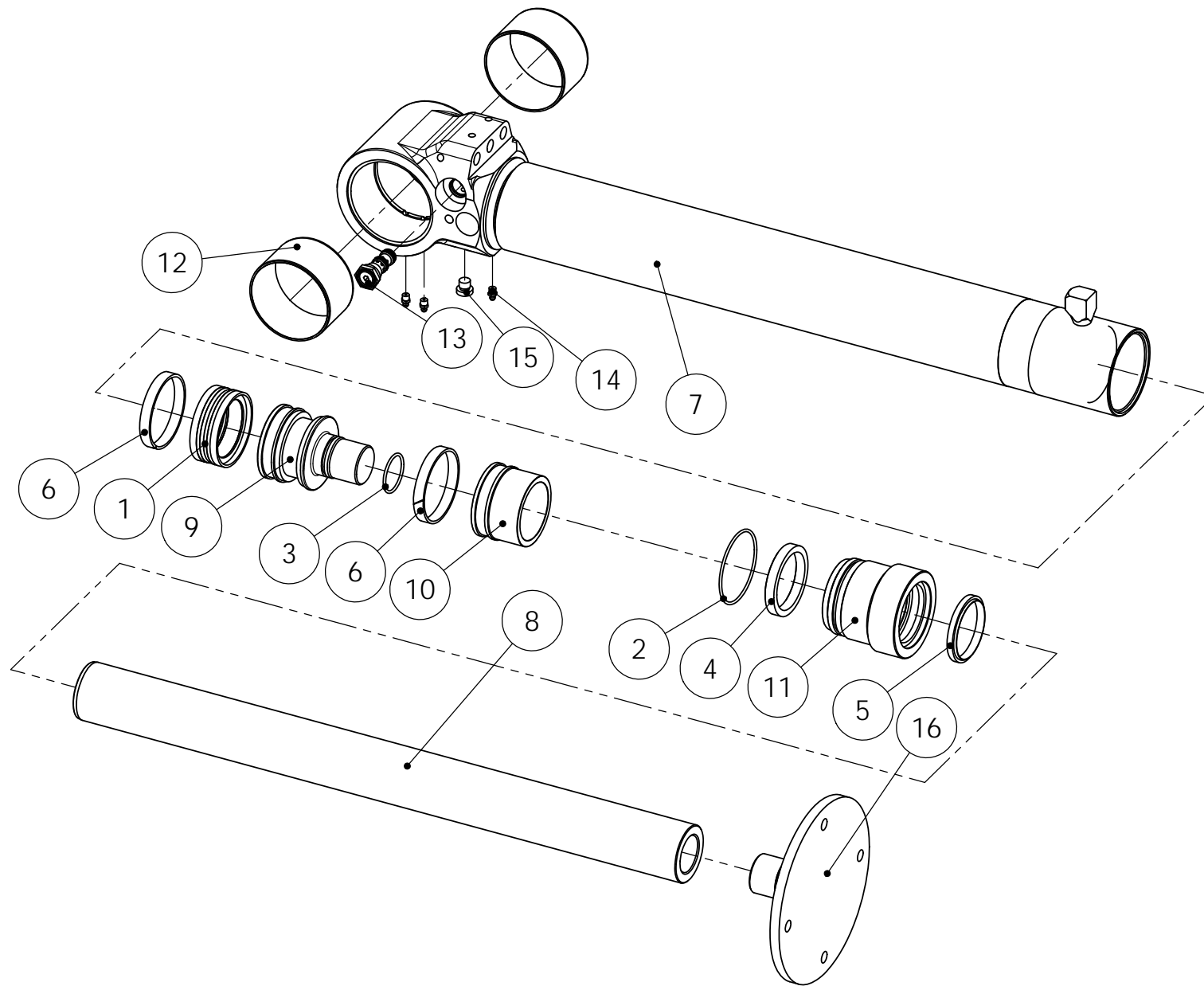
90025604

90/70x620 LEFT (FIXED FOOT)



| | | | |
|---------------|-------------------------------|----------|------------|
| Item code | 90025604 | Revision | A |
| Title | STABILIZER | Date | 18.06.2012 |
| Specification | 90/70X620 LEFT (FIXED FOOT) | | |

| Pos | Item code | Title | Specification | Pc | Nto Weight |
|-----|-----------|----------------|--|----|------------|
| 1 | 28943001 | CYLINDER | 90/70X620 | 1 | 61.43 |
| 2 | 90025017 | SPINDLE | 30/18-179 | 1 | 0.63 |
| 3 | 90025018 | SLEEVE | | 1 | 0.26 |
| 4 | 3301574 | LEVER | GN 310-12-125-E-NI M10 | 1 | 0.03 |
| 5 | 3300533 | SPRING | 18/45/7.6/6.88 -1643 SF-TF3 | 1 | 0.02 |
| 6 | 3010604 | ALLEN SCREW | M12X20 8.8 DIN 912 | 1 | 0 |
| 7 | 3090901 | CONNECTOR | 6010-06-06 | 4 | 0.05 |
| 8 | 3110040 | USIT-SEAL | R-06 R 3/8" | 4 | 0 |
| 100 | 3132961 | HYDRAULIC HOSE | A50005-06-06/241T-06/A50005-06-06S/L=730/TEX | 1 | |



28943001 SYLINTERI

VARAOSAT \ RESERVDLAR \ SPARE PARTS \ ERSATZTEIL

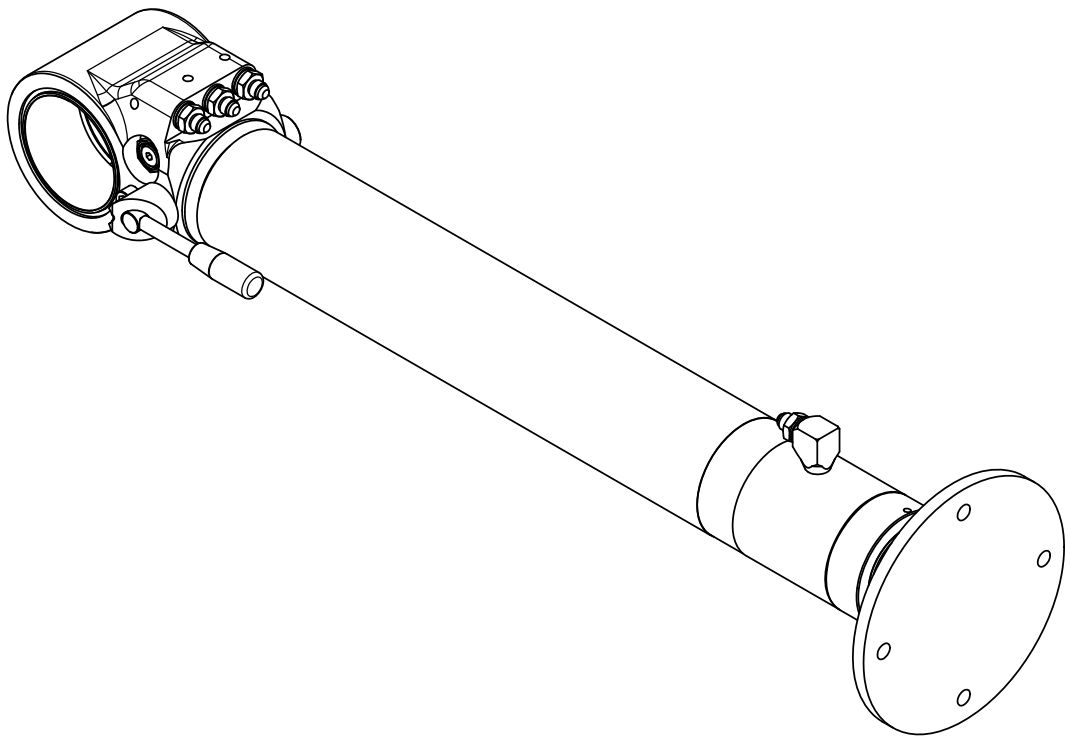
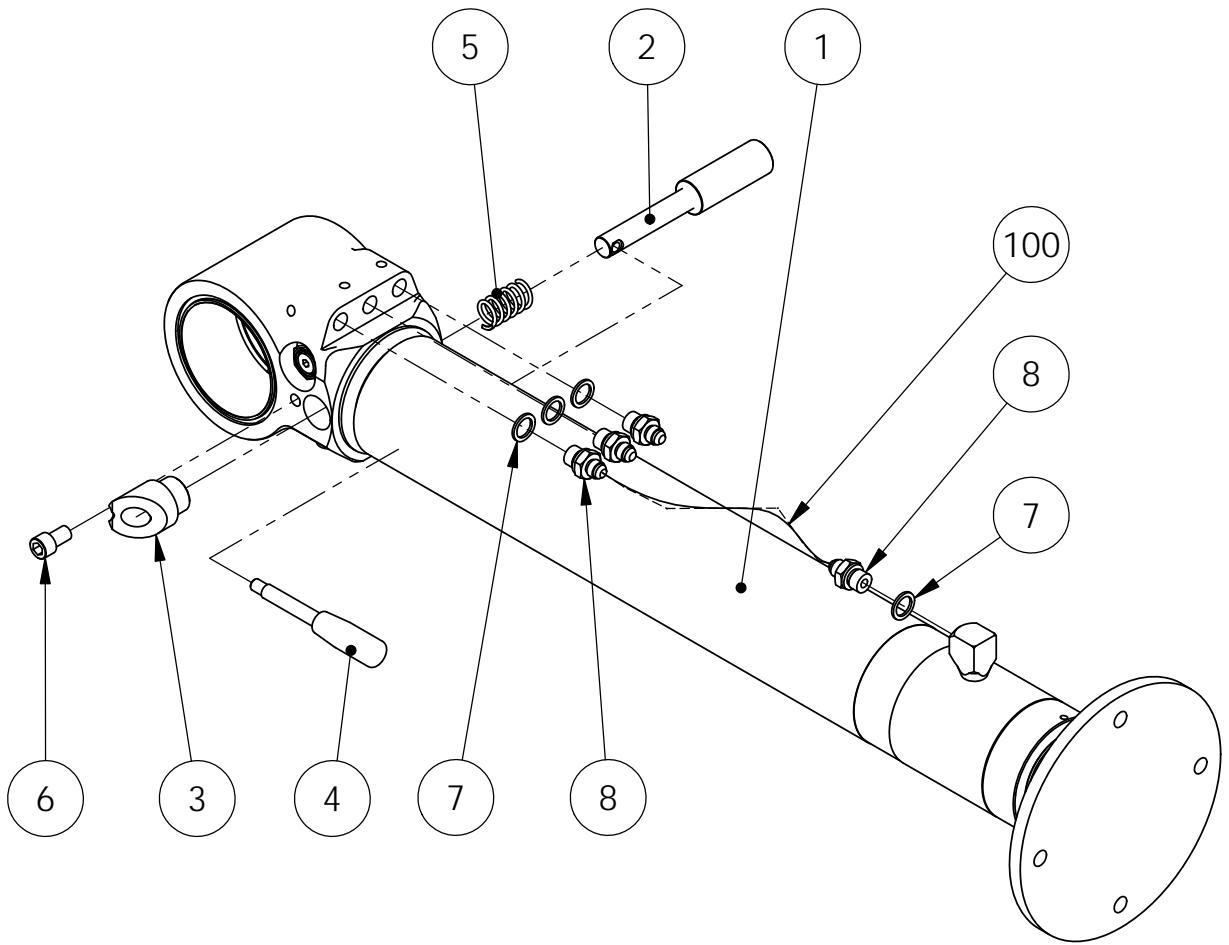


SPARE PART LIST

| | | | |
|---------------|-----------|----------|------------|
| Item code | 28943001 | Revision | - |
| Title | SYLINTERI | Date | 15.01.2013 |
| Specification | 90/70X620 | | |

| Pos | Item code | Title | Specification | Dimensions | Pc | Amount | Unit | Nto Weight |
|-----|-----------|---|----------------------------|------------|----|--------|------|------------|
| 1 | 3110025 | MÄNNÄNTIIVISTE KOLV TÄTNING PISTON SEAL KOLBENDICHTUNG | DAS 90/70X22 | | 1 | | | 0.5 |
| 2 | 3110017 | O-RENGAS O-RING O-RING O-RING | 84.5X3 90 SHORE | | 2 | | | 0.02 |
| 3 | 3110258 | O-RENGAS O-RING O-RING O-RING | 42.2X3 90 SHORE | | 1 | | | 0.01 |
| 4 | 3110184 | VARRENTIIVISTE KOLVSTÄNGSTÄTNING ROD SEAL DICHTUNG FÜR KOLBENSTANGE | B 70/85X12 POLYPAC BALSELE | | 1 | | | 0.17 |
| 5 | 3110196 | LUOVUTIN AVSTRYKARE WIPER SEAL ABSTREIFER | GA 70/80X7/10 | | 1 | | | 0.07 |
| 6 | 3110397 | MÄNNÄNOHJAIN KOLV STYRNING PISTON GUIDE KOLBENFÜHRUNG | E/PWR 90/84X13 | | 2 | | | 0.08 |
| 7 | 28861101 | SYLINTERIPUTKI CYLINDERRÖR CYLINDER BARREL ZYLINDERROHR | 90/70X600 | | 1 | | | 32.54 |
| 8 | 28943302 | MÄNNÄNVARSI KOLVSTÄNG PISTON ROD KOLBENSTANGE | 70-793 | | 1 | | | 15.11 |
| 9 | 28942201 | MÄNTÄ KOLV PISTON KOLBEN | 90 | L=122 | 1 | | | 2.46 |
| 10 | 28554105 | HOLKKI HYLSA SLEEVE ACHSHALTER | ISKURAJOITINHOLKKI | L=62 | 1 | | | 0.96 |
| 11 | 28358202 | OHJAIN STYRNING GUIDANCE STEUERUNG | 90/70 | | 1 | | | 2.43 |
| 12 | 3100344 | LIUKULAAKERI BUSSNING BUSHING GLEITLAGER | WB 802 10060 | | 2 | | | 0.38 |
| 13 | 3120843 | VENTTIILI VENTIL VALVE VENTIL | | | 1 | | | 0.13 |
| 14 | 3050003 | RASVANIPPA SMÖRJNIPPEL GREASE NIPPLE SCHMIERNIPPEL | M8X1,25 DIN 71412 | | 3 | | | 0 |
| 15 | 3090211 | TULPPA PLUGG PLUG DECKEL | | | 1 | | | 0.02 |
| 16 | 28942106 | ANTURA BOTTEN BASE UNTERLAGE | TUKIJALKA | | 1 | | | 6.07 |
| 1-6 | 3111025 | TIIVISTESARJA TÄTNNGSSATS SEAL KIT DICHTUNGSSATZ | 90/70 | | 1 | | | |

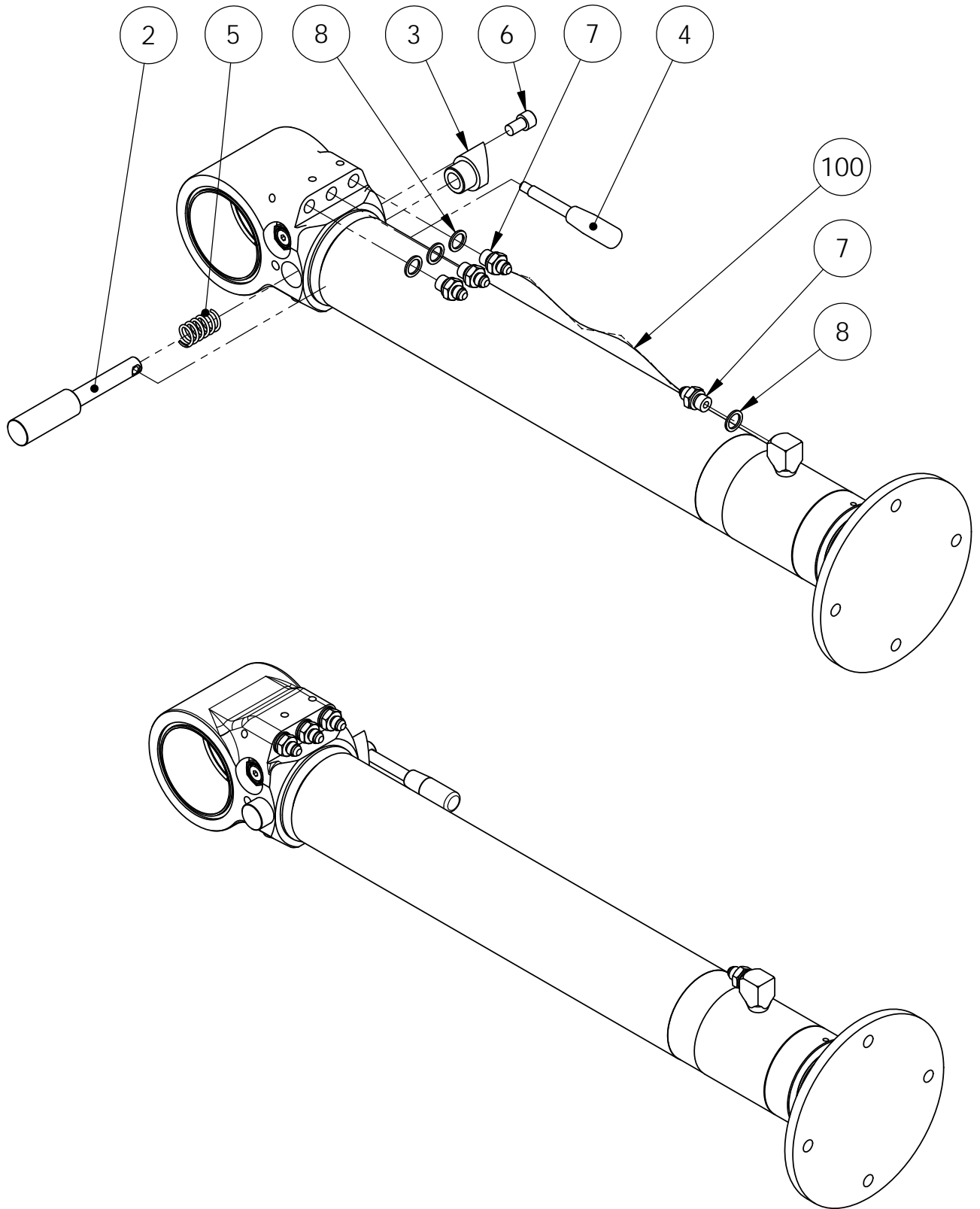
90025605
90/70x520 RIGHT (FIXED FOOT)



| | | | |
|---------------|--------------------------------|----------|------------|
| Item code | 90025605 | Revision | A |
| Title | STABILIZER | Date | 18.06.2012 |
| Specification | 90/70X520 RIGHT (FIXED FOOT) | | |

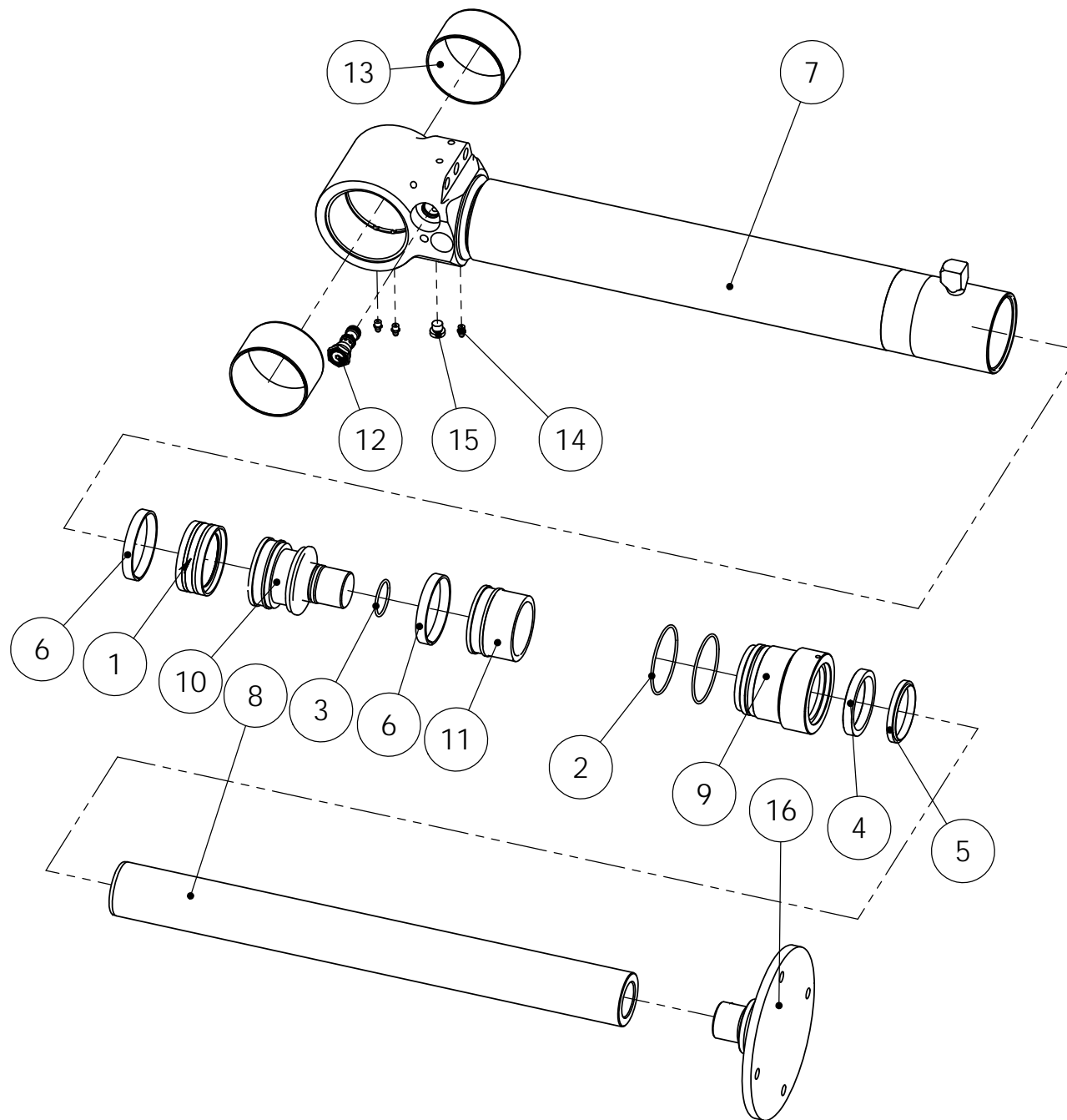
| Pos | Item code | Title | Specification | Pc | Nto Weight |
|-----|-----------|----------------|--|----|------------|
| 1 | 28942001 | CYLINDER | 90/70X520 | 1 | 57.69 |
| 2 | 90025017 | SPINDLE | 30/18-179 | 1 | 0.63 |
| 3 | 90025018 | SLEEVE | | 1 | 0.26 |
| 4 | 3301574 | LEVER | GN 310-12-125-E-NI M10 | 1 | 0.03 |
| 5 | 3300533 | SPRING | 18/45/7.6/6.88 -1643 SF-TF3 | 1 | 0.02 |
| 6 | 3010604 | ALLEN SCREW | M12X20 8.8 DIN 912 | 1 | 0 |
| 7 | 3110040 | USIT-SEAL | R-06 R 3/8" | 4 | 0 |
| 8 | 3090901 | CONNECTOR | 6010-06-06 | 4 | 0.05 |
| 100 | 3132962 | HYDRAULIC HOSE | A50005-06-06/241T-06/A50005-06-06/L=630/ TEX | 1 | 0 |

90025606
90/70x520 LEFT (FIXED FOOT)



| | | | |
|---------------|-------------------------------|----------|------------|
| Item code | 90025606 | Revision | A |
| Title | STABILIZER | Date | 18.06.2012 |
| Specification | 90/70X520 LEFT (FIXED FOOT) | | |

| Pos | Item code | Title | Specification | Pc | Nto Weight |
|-----|-----------|----------------|--|----|------------|
| 1 | 28942001 | CYLINDER | 90/70X520 | 1 | 57.69 |
| 2 | 90025017 | SPINDLE | 30/18-179 | 1 | 0.63 |
| 3 | 90025018 | SLEEVE | | 1 | 0.26 |
| 4 | 3301574 | LEVER | GN 310-12-125-E-NI M10 | 1 | 0.03 |
| 5 | 3300533 | SPRING | 18/45/7.6/6.88 -1643 SF-TF3 | 1 | 0.02 |
| 6 | 3010604 | ALLEN SCREW | M12X20 8.8 DIN 912 | 1 | 0 |
| 7 | 3090901 | CONNECTOR | 6010-06-06 | 4 | 0.05 |
| 8 | 3110040 | USIT-SEAL | R-06 R 3/8" | 4 | 0 |
| 100 | 3132962 | HYDRAULIC HOSE | A50005-06-06/241T-06/A50005-06-06/L=630/ TEX | 1 | 0 |



28942001

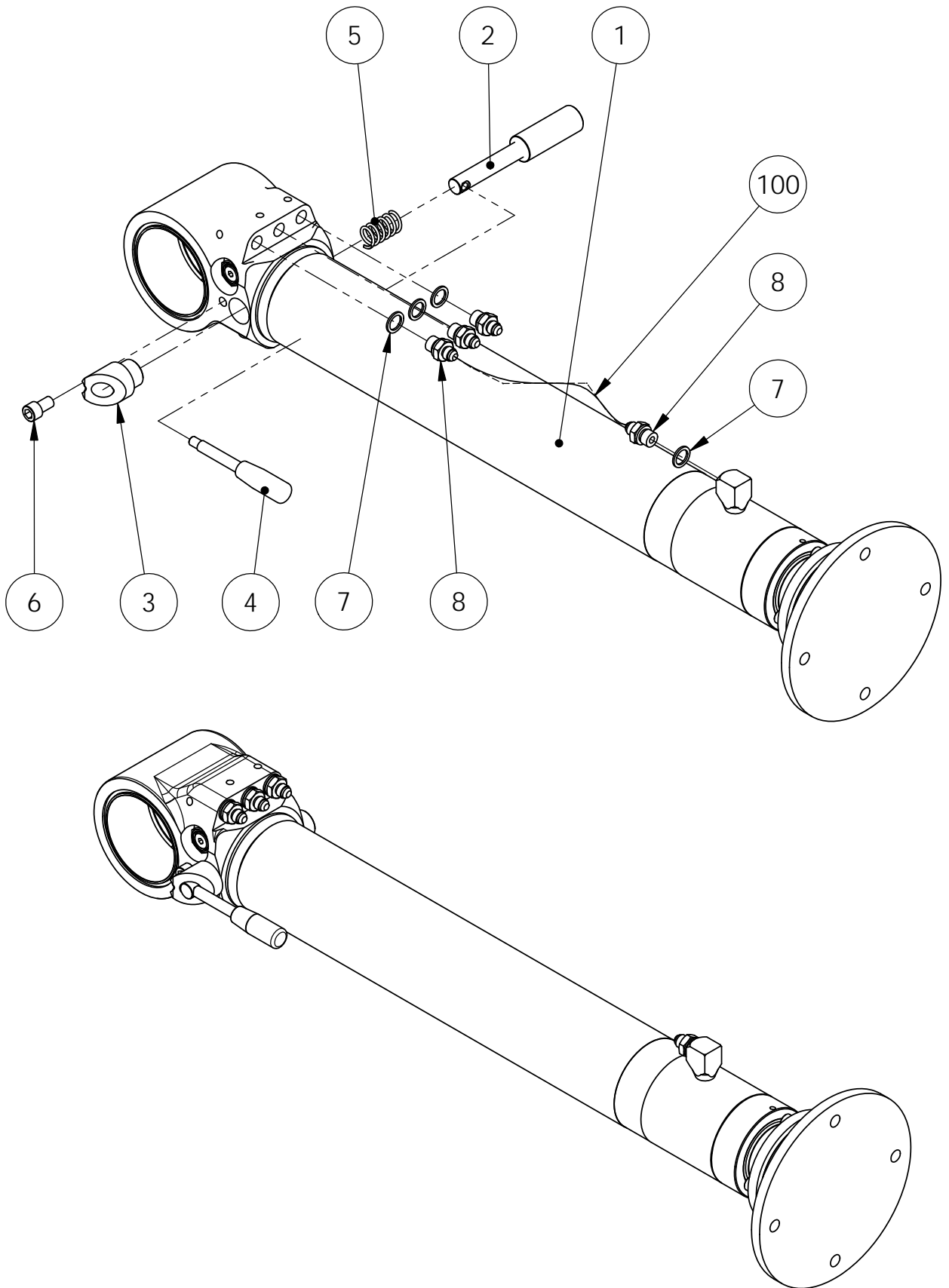


SPARE PART LIST

| | | | |
|---------------|-----------|----------|------------|
| Item code | 28942001 | Revision | - |
| Title | SYLINTERI | Date | 30.11.2012 |
| Specification | 90/70X520 | | |

| Pos | Item code | Title | Specification | Dimensions | Pc | Amount | Unit | Nto Weight |
|-----|-----------|---|----------------------------|------------|----|--------|------|------------|
| 1 | 3110025 | MÄNNÄNTIIVISTE KOLV TÄTNING PISTON SEAL KOLBENDICHTUNG | DAS 90/70X22 | | 1 | | | 0.5 |
| 2 | 3110017 | O-RENGAS O-RING O-RING O-RING | 84.5X3 90 SHORE | | 2 | | | 0.02 |
| 3 | 3110258 | O-RENGAS O-RING O-RING O-RING | 42.2X3 90 SHORE | | 1 | | | 0.01 |
| 4 | 3110184 | VARRENTIIVISTE KOLVSTÄNGSTÄTNING ROD SEAL DICHTUNG FÜR KOLBENSTANGE | B 70/85X12 POLYPAC BALSELE | | 1 | | | 0.17 |
| 5 | 3110196 | LUOVUTIN AVSTRYKARE WIPER SEAL ABSTREIFER | GA 70/80X7/10 | | 1 | | | 0.07 |
| 6 | 3110397 | MÄNNÄNOHJAIN KOLV STYRNING PISTON GUIDE KOLBENFÜHRUNG | E/PWR 90/84X13 | | 2 | | | 0.08 |
| 7 | 28865101 | SYLINTERIPUTKI CYLINDERRÖR CYLINDER BARREL ZYLINDERROHR | 90/70X500 | | 1 | | | 30.74 |
| 8 | 28942302 | MÄNNÄNVARSI KOLVSTÄNG PISTON ROD KOLBENSTANGE | 70-693 | | 1 | | | 13.17 |
| 9 | 28358202 | OHJAIN STYRNING GUIDANCE STEUERUNG | 90/70 | | 1 | | | 2.43 |
| 10 | 28942201 | MÄNTÄ KOLV PISTON KOLBEN | 90 | L=122 | 1 | | | 2.46 |
| 11 | 28554105 | HOLKKI HYLSA SLEEVE ACHSHALTER | ISKURAJOITINHOLKKI | L=62 | 1 | | | 0.96 |
| 12 | 3120843 | VENTTIILI VENTIL VALVE VENTIL | | | 1 | | | 0.13 |
| 13 | 3100344 | LIUKULAAKERI BUSSNING BUSHING GLEITLAGER | WB 802 10060 | | 2 | | | 0.38 |
| 14 | 3050003 | RASVANIPPA SMÖRJNIPPEL GREASE NIPPLE SCHMIERNIPPEL | M8X1,25 DIN 71412 | | 3 | | | 0 |
| 15 | 3090211 | TULPPA PLUGG PLUG DECKEL | | | 1 | | | 0.02 |
| 16 | 28942106 | ANTURA BOTTEN BASE UNTERLAGE | TUKIJALKA | | 1 | | | 6.07 |
| 1-6 | 3111025 | TIIVISTESARJA TÄTNNGSSATS SEAL KIT DICHTUNGSSATZ | 90/70 | | 1 | | | |

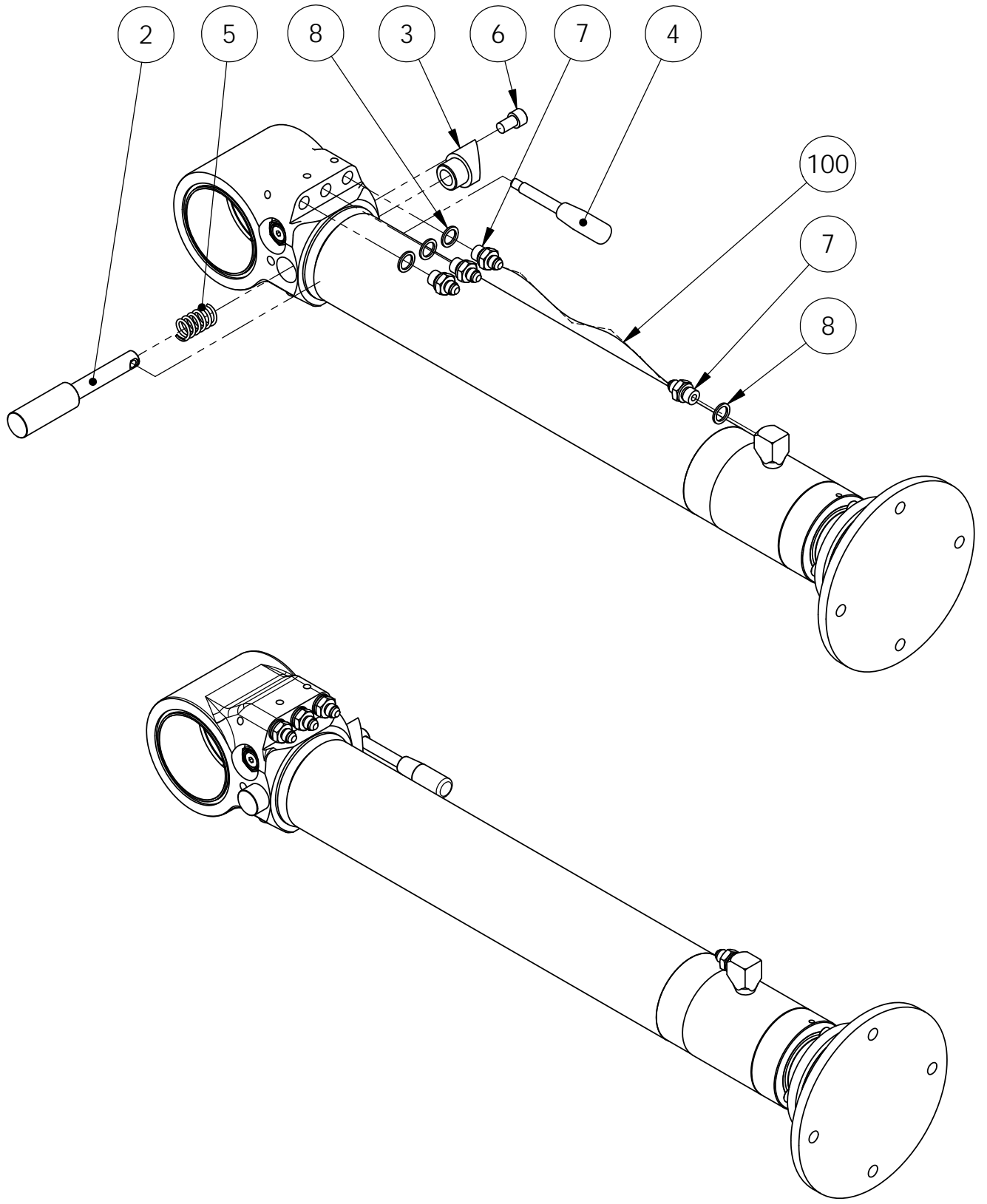
90025608
90/70x520 RIGHT (ADJUSTABLE FOOT)



| | | | |
|---------------|-------------------------------------|----------|------------|
| Item code | 90025608 | Revision | A |
| Title | STABILIZER | Date | 19.06.2012 |
| Specification | 90/70X520 RIGHT (ADJUSTABLE FOOT) | | |

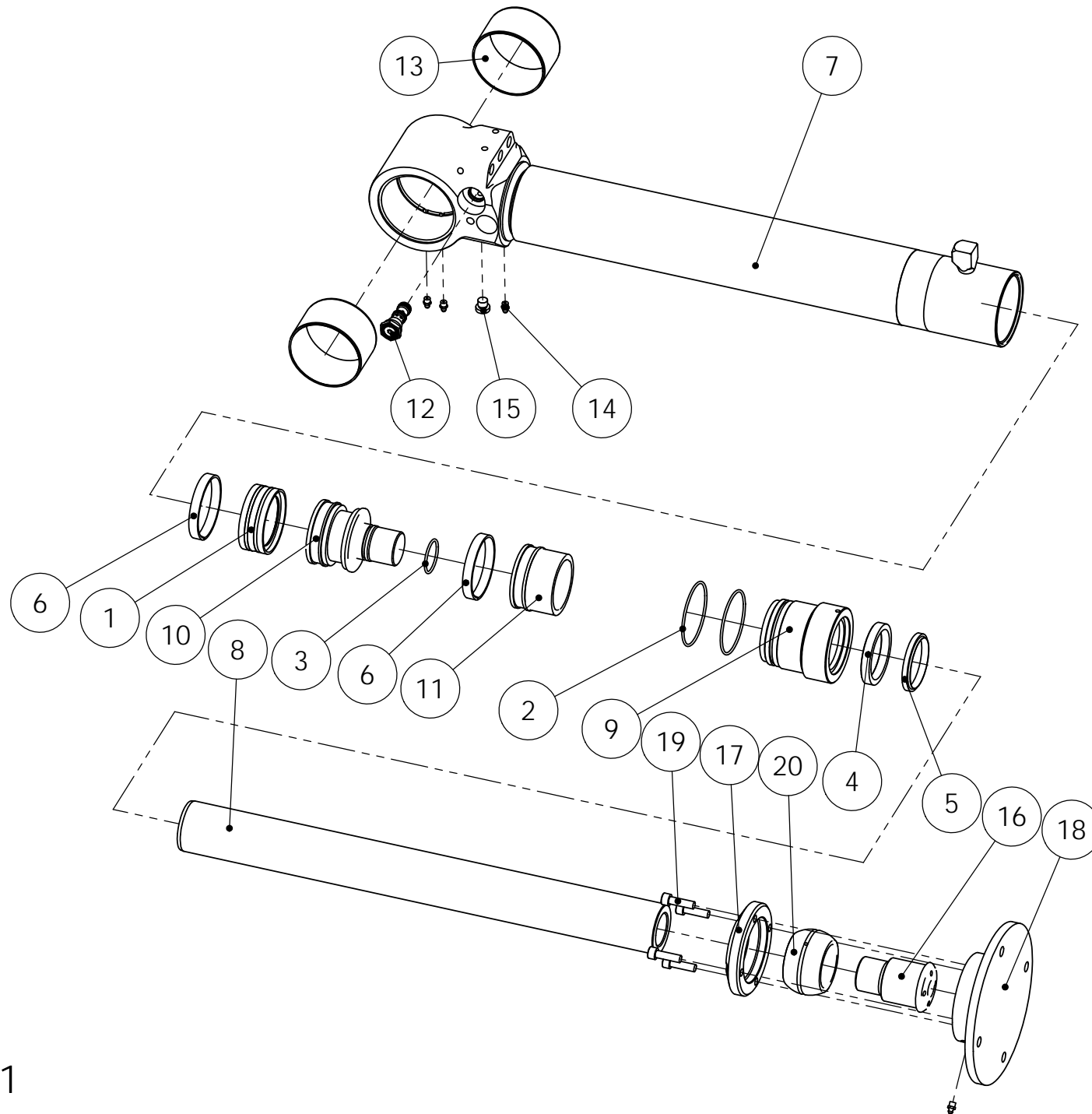
| Pos | Item code | Title | Specification | Pc | Nto Weight |
|-----|-----------|----------------|--|----|------------|
| 1 | 28944001 | CYLINDER | 90/70X520 | 1 | 61.28 |
| 2 | 90025017 | SPINDLE | 30/18-179 | 1 | 0.63 |
| 3 | 90025018 | SLEEVE | | 1 | 0.26 |
| 4 | 3301574 | LEVER | GN 310-12-125-E-NI M10 | 1 | 0.03 |
| 5 | 3300533 | SPRING | 18/45/7.6/6.88 -1643 SF-TF3 | 1 | 0.02 |
| 6 | 3010604 | ALLEN SCREW | M12X20 8.8 DIN 912 | 1 | 0 |
| 7 | 3110040 | USIT-SEAL | R-06 R 3/8" | 4 | 0 |
| 8 | 3090901 | CONNECTOR | 6010-06-06 | 4 | 0.05 |
| 100 | 3132962 | HYDRAULIC HOSE | A50005-06-06/241T-06/A50005-06-06/L=630/ TEX | 1 | 0 |

90025609
90/70x520 LEFT (ADJUSTABLE FOOT)



| | | | |
|---------------|------------------------------------|----------|------------|
| Item code | 90025609 | Revision | A |
| Title | STABILIZER | Date | 19.06.2012 |
| Specification | 90/70X520 LEFT (ADJUSTABLE FOOT) | | |

| Pos | Item code | Title | Specification | Pc | Nto Weight |
|-----|-----------|----------------|--|----|------------|
| 1 | 28944001 | CYLINDER | 90/70X520 | 1 | 61.28 |
| 2 | 90025017 | SPINDLE | 30/18-179 | 1 | 0.63 |
| 3 | 90025018 | SLEEVE | | 1 | 0.26 |
| 4 | 3301574 | LEVER | GN 310-12-125-E-NI M10 | 1 | 0.03 |
| 5 | 3300533 | SPRING | 18/45/7.6/6.88 -1643 SF-TF3 | 1 | 0.02 |
| 6 | 3010604 | ALLEN SCREW | M12X20 8.8 DIN 912 | 1 | 0 |
| 7 | 3090901 | CONNECTOR | 6010-06-06 | 4 | 0.05 |
| 8 | 3110040 | USIT-SEAL | R-06 R 3/8" | 4 | 0 |
| 100 | 3132962 | HYDRAULIC HOSE | A50005-06-06/241T-06/A50005-06-06/L=630/ TEX | 1 | 0 |



28944001

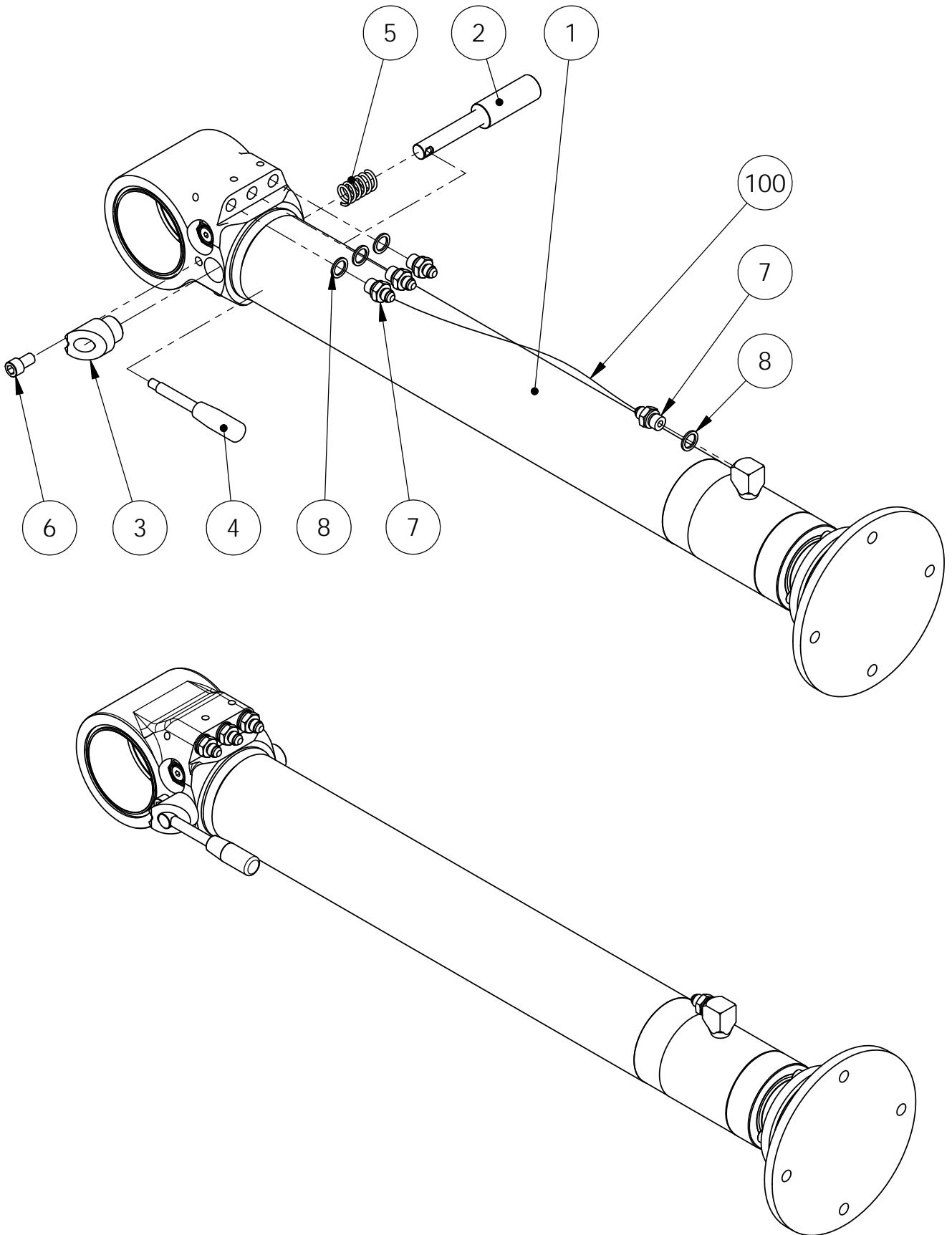


SPARE PART LIST

| | | | |
|---------------|-----------|----------|------------|
| Item code | 28944001 | Revision | - |
| Title | SYLINTERI | Date | 30.11.2012 |
| Specification | 90/70X520 | | |

| Pos | Item code | Title | Specification | Dimensions | Pc | Amount | Unit | Nto Weight |
|-----|-----------|---|-------------------------------|------------|----|--------|------|------------|
| 1 | 3110025 | MÄNNÄNTIIVISTE KOLV TÄTNING PISTON SEAL KOLBENDICHTUNG | DAS 90/70X22 | | 1 | | | 0.5 |
| 2 | 3110017 | O-RENGAS O-RING O-RING O-RING | 84.5X3 90 SHORE | | 2 | | | 0.02 |
| 3 | 3110258 | O-RENGAS O-RING O-RING O-RING | 42.2X3 90 SHORE | | 1 | | | 0.01 |
| 4 | 3110184 | VARRENTIIVISTE KOLVSTÄNGSTÄTNING ROD SEAL DICHTUNG FÜR KOLBENSTANGE | B 70/85X12 POLYPAC BALSELE | | 1 | | | 0.17 |
| 5 | 3110196 | LUOVUTIN AVSTRYKARE WIPER SEAL ABSTREIFER | GA 70/80X7/10 | | 1 | | | 0.07 |
| 6 | 3110397 | MÄNNÄNOHJAIN KOLV STYRNING PISTON GUIDE KOLBENFÜHRUNG | E/PWR 90/84X13 | | 2 | | | 0.08 |
| 7 | 28865101 | SYLINTERIPUTKI CYLINDERRÖR CYLINDER BARREL ZYLINDERROHR | 90/70X500 | | 1 | | | 30.74 |
| 8 | 28942302 | MÄNNÄNVARSI KOLVSTÄNG PISTON ROD KOLBENSTANGE | 70-693 | | 1 | | | 13.17 |
| 9 | 28358202 | OHJAIN STYRNING GUIDANCE STEUERUNG | 90/70 | | 1 | | | 2.43 |
| 10 | 28942201 | MÄNTÄ KOLV PISTON KOLBEN | 90 | L=122 | 1 | | | 2.46 |
| 11 | 28554105 | HOLKKI HYLSA SLEEVE ACHSHALTER | ISKURAJOITINHOLKKI | L=62 | 1 | | | 0.96 |
| 12 | 3120843 | VENTTIILI VENTIL VALVE VENTIL | | | 1 | | | 0.13 |
| 13 | 3100344 | LIUKULAAKERI BUSSNING BUSHING GLEITLAGER | WB 802 10060 | | 2 | | | 0.38 |
| 14 | 3050003 | RASVANIPPA SMÖRJNIPPEL GREASE NIPPLE SCHMIERNIPPEL | M8X1,25 DIN 71412 | | 4 | | | 0 |
| 15 | 3090211 | TULPPA PLUGG PLUG DECKEL | | | 1 | | | 0.02 |
| 16 | 28944401 | AKSELI AXEL AXLE ACHSE | 60/M47 | L=105 | 1 | | | 1.9 |
| 17 | 28861107 | KANSI DÄCK COVER DECKEL | | L=28 | 1 | | | 1.07 |
| 18 | 28861106 | ANTURA BOTTEN BASE UNTERLAGE | | | 1 | | | 5.55 |
| 19 | 3010970 | KUUSIOKOLORUUVI INSEKSKRUV ALLEN SCREW INNENSECHSKANTSCHRAUBE | M10X35 12.9 DIN 912 | | 4 | | | 0 |
| 20 | 3100428 | LAAKERI LAGER BEARING LAGER | NIVELLAAKERIN PALLO GEF 60 ES | L=56 | 1 | | | 1.14 |
| 1-6 | 3111025 | TIIVISTESARJA TÄTNNGSSATS SEAL KIT DICHTUNGSSATZ | 90/70 | | 1 | | | |

90025610
90/70x620 RIGHT (ADJUSTABLE FOOT)

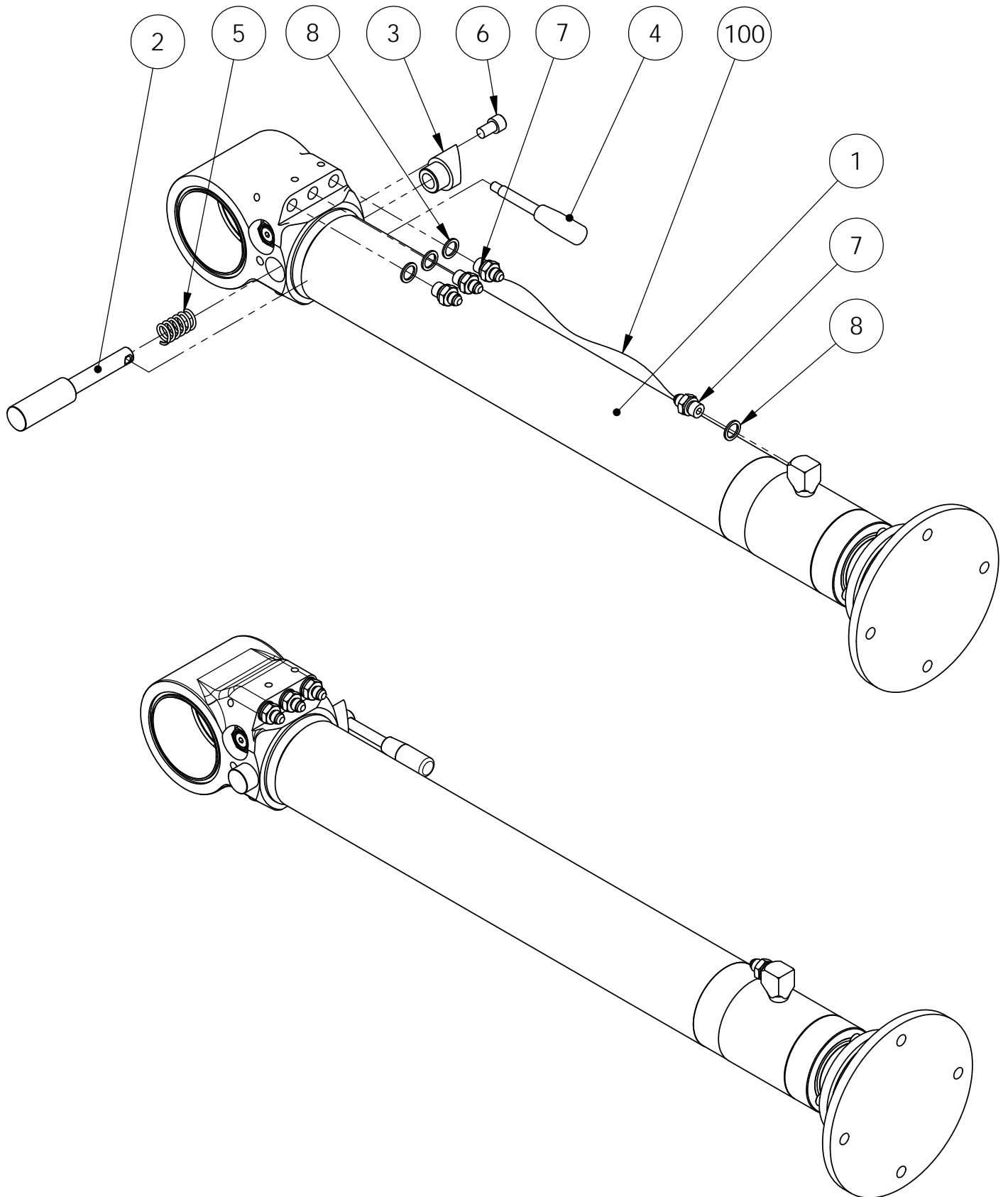


| | | | |
|---------------|-------------------------------------|----------|------------|
| Item code | 90025610 | Revision | A |
| Title | STABILIZER | Date | 19.06.2012 |
| Specification | 90/70X620 RIGHT (ADJUSTABLE FOOT) | | |

| Pos | Item code | Title | Specification | Pc | Nto Weight |
|-----|-----------|----------------|--|----|------------|
| 1 | 28945001 | CYLINDER | 90/70X620 | 1 | 65.02 |
| 2 | 90025017 | SPINDLE | 30/18-179 | 1 | 0.63 |
| 3 | 90025018 | SLEEVE | | 1 | 0.26 |
| 4 | 3301574 | LEVER | GN 310-12-125-E-NI M10 | 1 | 0.03 |
| 5 | 3300533 | SPRING | 18/45/7.6/6.88 -1643 SF-TF3 | 1 | 0.02 |
| 6 | 3010604 | ALLEN SCREW | M12X20 8.8 DIN 912 | 1 | 0 |
| 7 | 3090901 | CONNECTOR | 6010-06-06 | 4 | 0.05 |
| 8 | 3110040 | USIT-SEAL | R-06 R 3/8" | 4 | 0 |
| 100 | 3132961 | HYDRAULIC HOSE | A50005-06-06/241T-06/A50005-06-06S/L=730/TEX | 1 | |

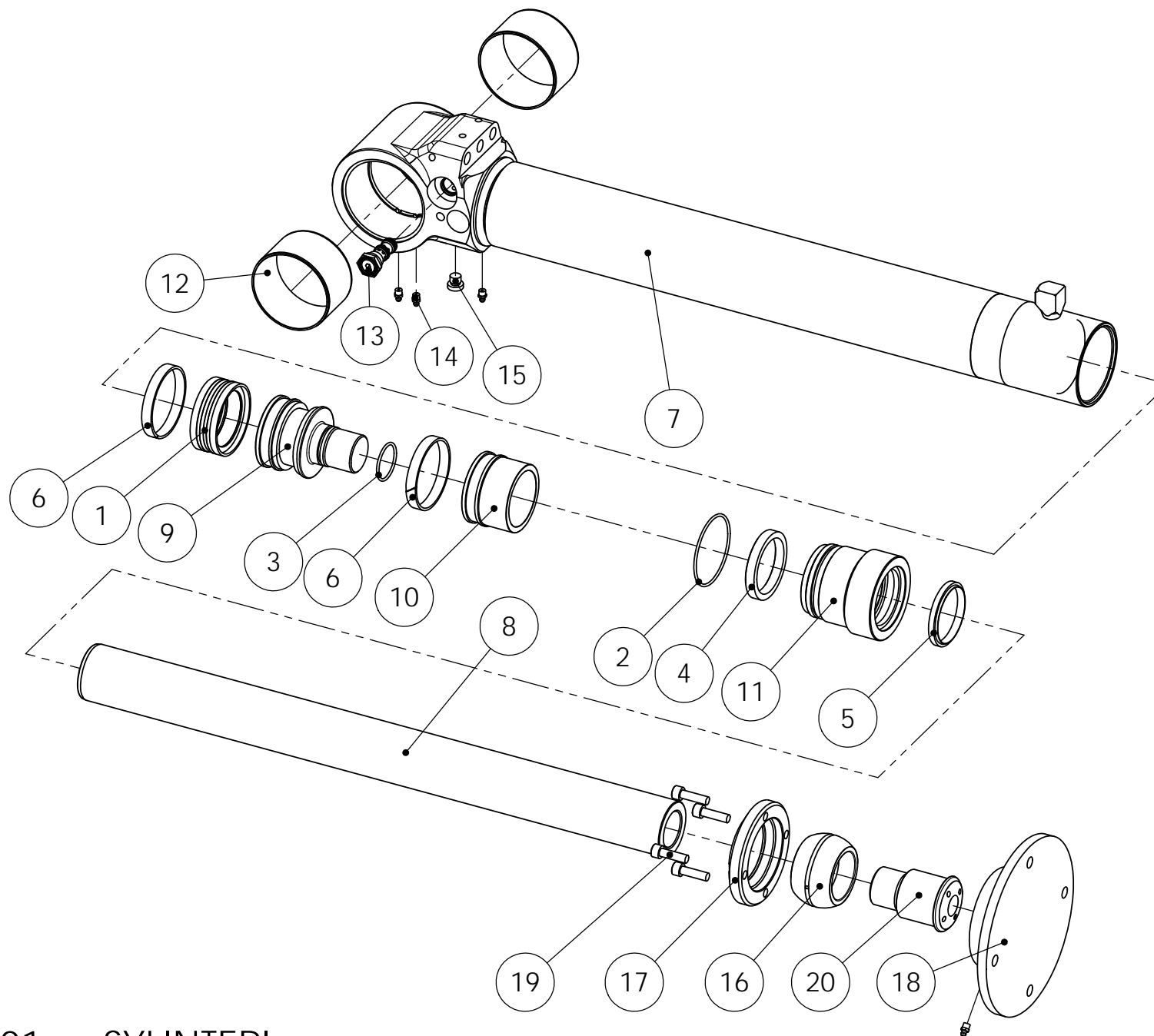
90025611

90/70x620 LEFT (ADJUSTABLE FOOT)



| | | | |
|---------------|------------------------------------|----------|------------|
| Item code | 90025611 | Revision | A |
| Title | STABILIZER | Date | 19.06.2012 |
| Specification | 90/70X620 LEFT (ADJUSTABLE FOOT) | | |

| Pos | Item code | Title | Specification | Pc | Nto Weight |
|-----|-----------|----------------|--|----|------------|
| 1 | 28945001 | CYLINDER | 90/70X620 | 1 | 65.02 |
| 2 | 90025017 | SPINDLE | 30/18-179 | 1 | 0.63 |
| 3 | 90025018 | SLEEVE | | 1 | 0.26 |
| 4 | 3301574 | LEVER | GN 310-12-125-E-NI M10 | 1 | 0.03 |
| 5 | 3300533 | SPRING | 18/45/7.6/6.88 -1643 SF-TF3 | 1 | 0.02 |
| 6 | 3010604 | ALLEN SCREW | M12X20 8.8 DIN 912 | 1 | 0 |
| 7 | 3090901 | CONNECTOR | 6010-06-06 | 4 | 0.05 |
| 8 | 3110040 | USIT-SEAL | R-06 R 3/8" | 4 | 0 |
| 100 | 3132961 | HYDRAULIC HOSE | A50005-06-06/241T-06/A50005-06-06S/L=730/TEX | 1 | |



28945001 SYLINTERI

VARAOSAT \ RESERVDELAR \ SPARE PARTS \ ERSATZTEIL

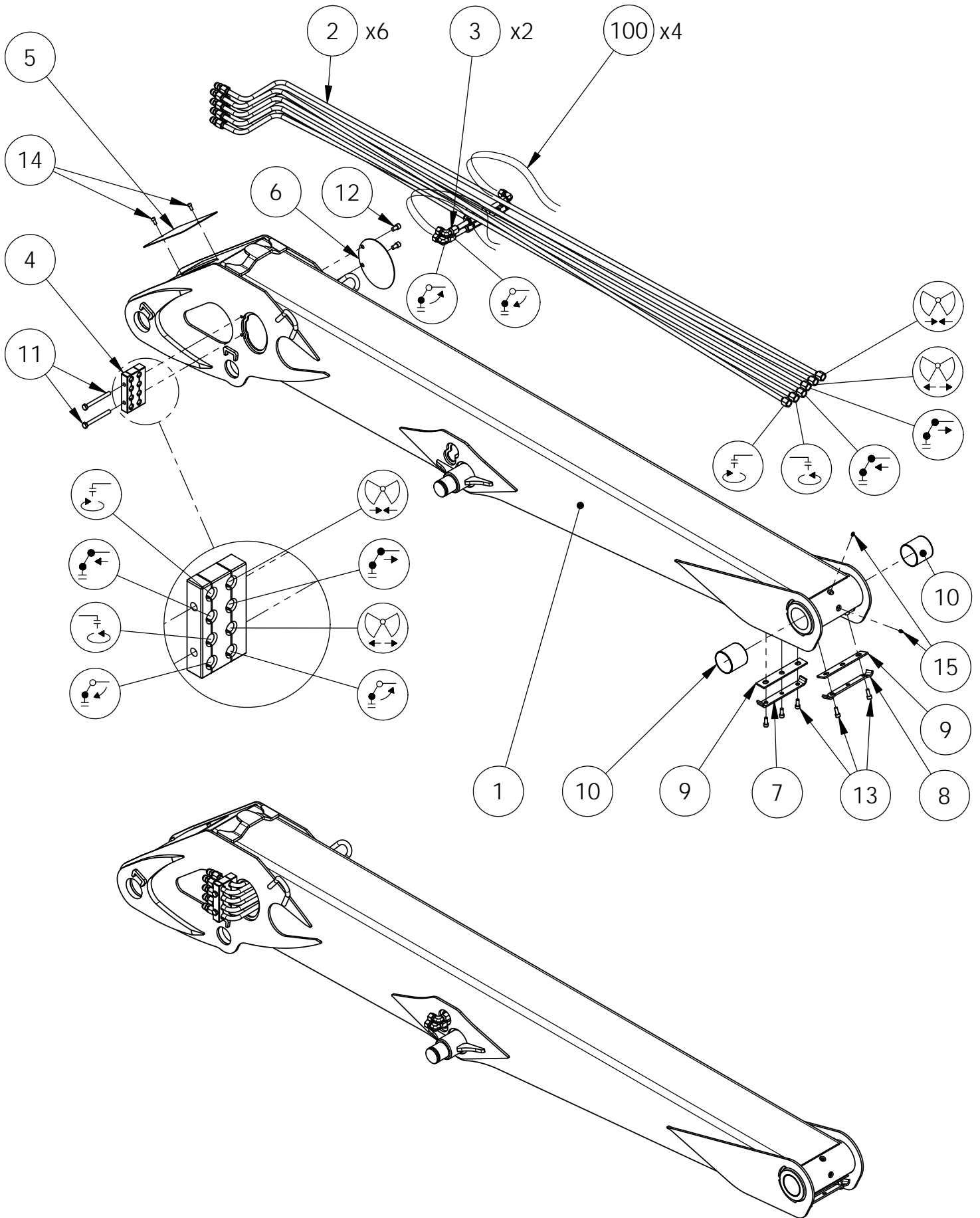


SPARE PART LIST

| | | | |
|---------------|-----------|----------|------------|
| Item code | 28945001 | Revision | - |
| Title | SYLINTERI | Date | 15.01.2013 |
| Specification | 90/70X620 | | |

| Pos | Item code | Title | Specification | Dimensions | Pc | Amount | Unit | Nto Weight |
|-----|-----------|---|-------------------------------|------------|----|--------|------|------------|
| 1 | 3110025 | MÄNNÄNTIIVISTE KOLV TÄTNING PISTON SEAL KOLBENDICHTUNG | DAS 90/70X22 | | 1 | | | 0.5 |
| 2 | 3110017 | O-RENGAS O-RING O-RING O-RING | 84.5X3 90 SHORE | | 2 | | | 0.02 |
| 3 | 3110258 | O-RENGAS O-RING O-RING O-RING | 42.2X3 90 SHORE | | 1 | | | 0.01 |
| 4 | 3110184 | VARRENTIIVISTE KOLVSTÄNGSTÄTNING ROD SEAL DICHTUNG FÜR KOLBENSTANGE | B 70/85X12 POLYPAC BALSELE | | 1 | | | 0.17 |
| 5 | 3110196 | LUOVUTIN AVSTRYKARE WIPER SEAL ABSTREIFER | GA 70/80X7/10 | | 1 | | | 0.07 |
| 6 | 3110397 | MÄNNÄNOHJAIN KOLV STYRNING PISTON GUIDE KOLBENFÜHRUNG | E/PWR 90/84X13 | | 2 | | | 0.08 |
| 7 | 28861101 | SYLINTERIPUTKI CYLINDERRÖR CYLINDER BARREL ZYLINDERROHR | 90/70X600 | | 1 | | | 32.54 |
| 8 | 28943302 | MÄNNÄNVARSI KOLVSTÄNG PISTON ROD KOLBENSTANGE | 70-793 | | 1 | | | 15.11 |
| 9 | 28942201 | MÄNTÄ KOLV PISTON KOLBEN | 90 | L=122 | 1 | | | 2.46 |
| 10 | 28554105 | HOLKKI HYLSA SLEEVE ACHSHALTER | ISKURAJOITINHOLKKI | L=62 | 1 | | | 0.96 |
| 11 | 28358202 | OHJAIN STYRNING GUIDANCE STEUERUNG | 90/70 | | 1 | | | 2.43 |
| 12 | 3100344 | LIUKULAAKERI BUSSNING BUSHING GLEITLAGER | WB 802 10060 | | 2 | | | 0.38 |
| 13 | 3120843 | VENTTIILI VENTIL VALVE VENTIL | | | 1 | | | 0.13 |
| 14 | 3050003 | RASVANIPPA SMÖRJNIPPEL GREASE NIPPLE SCHMIERNIPPEL | M8X1,25 DIN 71412 | | 4 | | | 0 |
| 15 | 3090211 | TULPPA PLUGG PLUG DECKEL | | | 1 | | | 0.02 |
| 16 | 3100428 | LAAKERI LAGER BEARING LAGER | NIVELLAAKERIN PALLO GEF 60 ES | L=56 | 1 | | | 1.14 |
| 17 | 28861107 | KANSI DÄCK COVER DECKEL | | L=28 | 1 | | | 1.07 |
| 18 | 28861106 | ANTURA BOTTEN BASE UNTERLAGE | | | 1 | | | 5.55 |
| 19 | 3010970 | KUUSIOKOLORUUVI INSEKSKRUV ALLEN SCREW INNENSECHSKANTSCHRAUBE | M10X35 12.9 DIN 912 | | 4 | | | 0 |
| 20 | 28944401 | AKSELI AXEL AXLE ACHSE | 60/M47 | L=105 | 1 | | | 1.9 |
| 1-6 | 3111025 | TIIVISTESARJA TÄTNNGSSATS SEAL KIT DICHTUNGSSATZ | 90/70 | | 1 | | | |

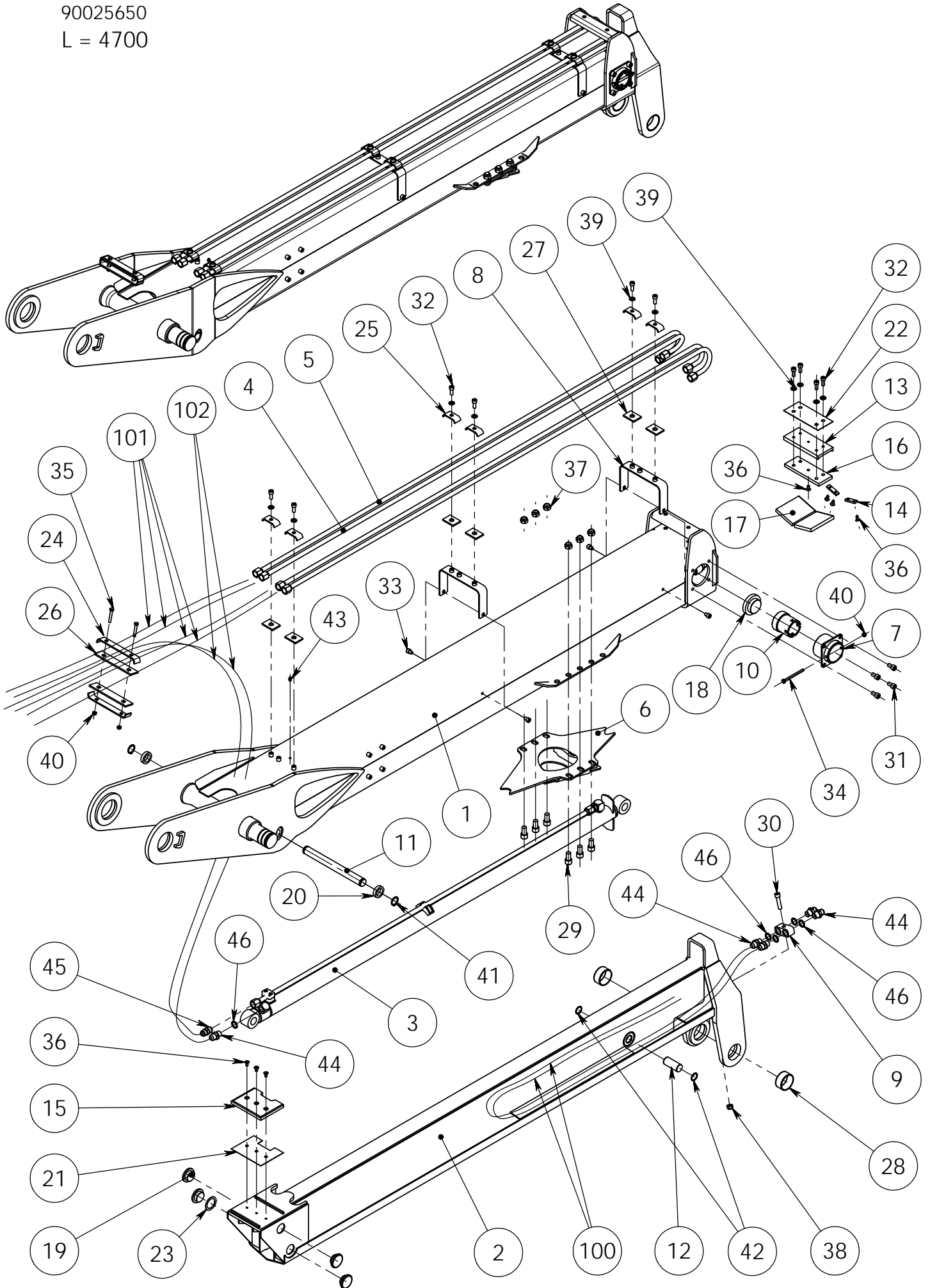
90025527
2109Z L=3320 RIGHT



| | | | |
|---------------|----------------|----------|------------|
| Item code | 90025527 | Revision | - |
| Title | LIFT BOOM | Date | 25.05.2012 |
| Specification | 3320 RIGHT VAR | | |

| Pos | Item code | Title | Specification | Pc | Nto Weight |
|-----|-----------|----------------|---|----|------------|
| 1 | 90025505 | LIFT BOOM | 3320 HITS+KON | 1 | 238.74 |
| 2 | 90024762 | HYDRAULIC PIPE | 1 KOK | 6 | 2.25 |
| 3 | 90024764 | HYDRAULIC PIPE | SIIRTOSYL KOK | 2 | 2.67 |
| 4 | 90024321 | FASTENER | D = 16 | 1 | 1.01 |
| 5 | 90023441 | COVER | | 1 | 0.76 |
| 6 | 90025045 | COVER | | 1 | 0.44 |
| 7 | 90013744 | FASTENER | | 1 | 0.32 |
| 8 | 90015473 | FASTENER | | 1 | 0.32 |
| 9 | 90013489 | RUBBER | 5X40X220 | 2 | 0.06 |
| 10 | 3100187 | BUSHING | WB 802 8080 | 2 | 0.41 |
| 11 | 3010122 | HEW SCREW | M12X120 8.8 ZN DIN 931 | 2 | 0 |
| 12 | 3010604 | ALLEN SCREW | M12X20 8.8 DIN 912 | 2 | 0 |
| 13 | 3010685 | ALLEN SCREW | M10X25 8.8 ZN DIN 912 | 5 | 0 |
| 14 | 3010292 | ALLEN SCREW | M8X16 8.8 ZN DIN 912 | 2 | 0 |
| 15 | 3050003 | GREASE NIPPLE | M8X1,25 DIN 71412 | 2 | 0 |
| 100 | 3132975 | HYDRAULIC HOSE | A50005-10-08/241T-08/500200-10-08/L=750 | 4 | |

90025650
L = 4700



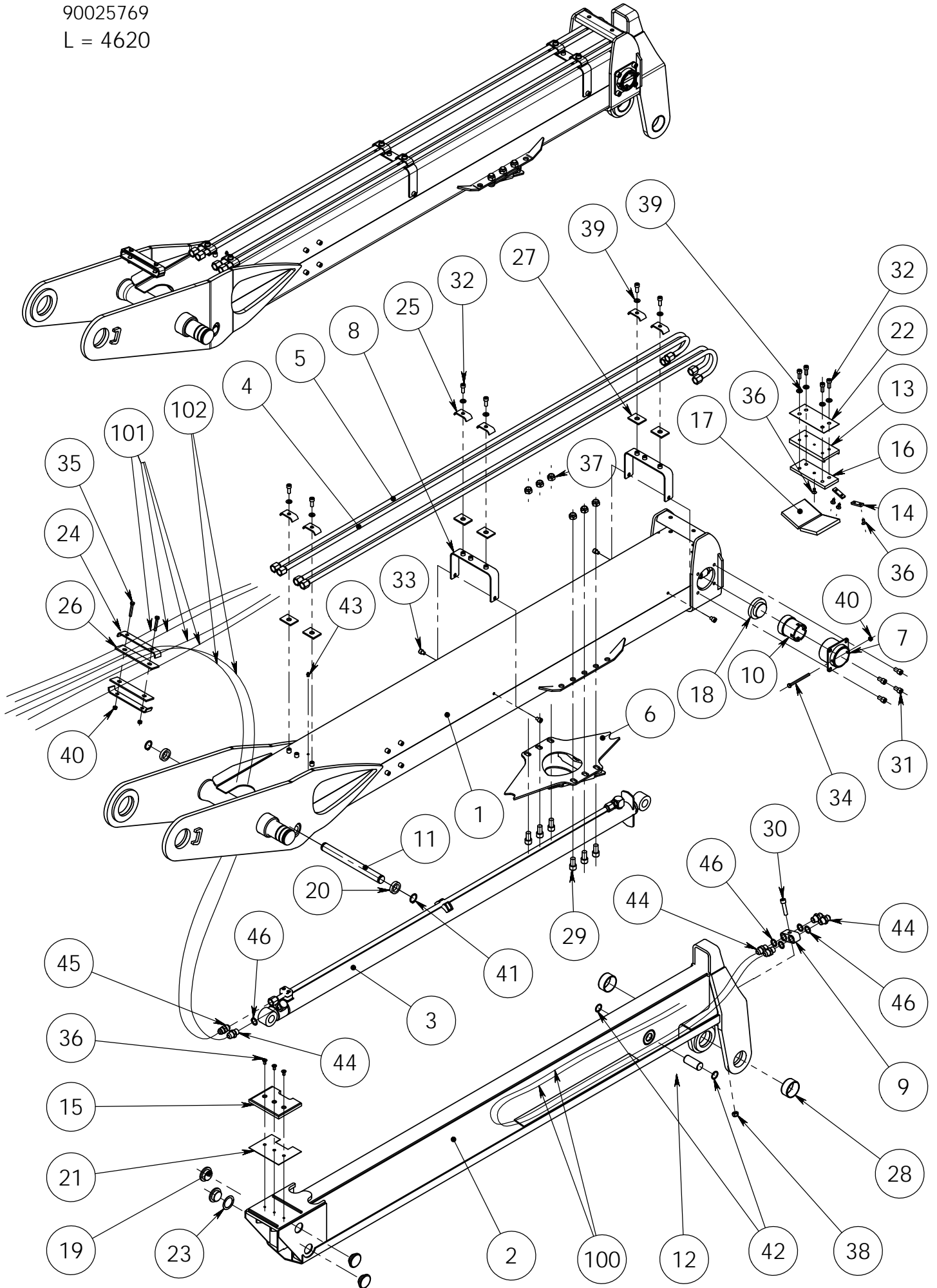
| | | | |
|---------------|---------------|----------|------------|
| Item code | 90025650 | Revision | A |
| Title | OUTER BOOM | Date | 05.07.2012 |
| Specification | L=4700 1-JATK | | |

| Pos | Item code | Title | Specification | Pc | Nto Weight |
|-----|-----------|-------------|-----------------------|----|------------|
| 1 | 90025651 | OUTER BOOM | L=2945 HITS+ KON | 1 | 149.74 |
| 2 | 90025760 | EXTENSION | L=2475 HITS+KON | 1 | 92.18 |
| 3 | 90021354 | CYLINDER | 50/30 X 1650 | 1 | 28.91 |
| 4 | 90021405 | PIPE | L=2324 KOK | 2 | 1.75 |
| 5 | 90021407 | PIPE | L=2365 KOK | 2 | 1.77 |
| 6 | 90021531 | RACK | HITS | 1 | 6.75 |
| 7 | 90021394 | FASTENER | HITS | 2 | 1.31 |
| 8 | 90025766 | FASTENER | L=204 HITS | 2 | 0.55 |
| 9 | 90021408 | CONNECTOR | R 1/2" | 2 | 0.35 |
| 10 | 90021396 | FASTENER | | 2 | 0.85 |
| 11 | 90018765 | AXLE | 30-304 | 1 | 1.68 |
| 12 | 90022463 | AXLE | 30-71 | 1 | 0.39 |
| 13 | 90020556 | FASTENER | L-180 | 1 | 1.18 |
| 14 | 90010345 | HOLDER | | 2 | 0.03 |
| 15 | 90014887 | GLIDE PAD | 120X155 | 1 | 0.24 |
| 16 | 90020563 | GLIDE PAD | 70X180 | 1 | 0.17 |
| 17 | 90014768 | GLIDE PAD | 12 X 90 X 120 | 2 | 0.15 |
| 18 | 90021397 | GLIDE PAD | 56X80-15X15 | 2 | 0.13 |
| 19 | 90011001 | GLIDE PAD | D=55-19/7 | 4 | 0.03 |
| 20 | 90025804 | SLEEVE | 40/31-11 | 2 | 0.01 |
| 21 | 90017085 | PLATE | 119X155 | 1 | 0.13 |
| 22 | 90020567 | PLATE | 80X180 | 1 | 0.11 |
| 23 | 21039422 | SHIM | 1XD=55 | 1 | 0.01 |
| 24 | 90021958 | FASTENER | 4X30-215 | 2 | 0.2 |
| 25 | 90010442 | FASTENER | LT4X30-72 | 6 | 0.07 |
| 26 | 90021961 | RUBBER | 5X40-190 | 2 | 0.05 |
| 27 | 90010443 | RUBBER | 5X55-40 | 6 | 0.01 |
| 28 | 3100225 | BUSHING | WB 802 6030 | 2 | 0.11 |
| 29 | 3010700 | ALLEN SCREW | M16X30 8.8 ZN DIN 912 | 6 | 0 |
| 30 | 3010580 | ALLEN SCREW | M12X50 8.8 ZN DIN 912 | 2 | 0 |
| 31 | 3010604 | ALLEN SCREW | M12X20 8.8 DIN 912 | 8 | 0 |
| 32 | 3010685 | ALLEN SCREW | M10X25 8.8 ZN DIN 912 | 10 | 0 |
| 33 | 3010297 | ALLEN SCREW | M10X12 8.8 ZN DIN 912 | 4 | 0 |
| 34 | 3010447 | HEW SCREW | M8X100 8.8 ZN DIN 931 | 2 | 0 |
| 35 | 3010072 | HEW SCREW | M8X50 8.8 ZN DIN 931 | 2 | 0 |
| 36 | 3010190 | ALLEN SCREW | M8X16 10.9 DIN 7991 | 8 | 0 |

| | | | |
|---------------|---------------|----------|------------|
| Item code | 90025650 | Revision | A |
| Title | OUTER BOOM | Date | 05.07.2012 |
| Specification | L=4700 1-JATK | | |

| Pos | Item code | Title | Specification | Pc | Nto Weight |
|-----|-----------|----------------------|--|----|------------|
| 37 | 3020010 | NUT | M16 ZN DIN 985 | 6 | 0.03 |
| 38 | 3020005 | NUT | M12 ZN DIN 985 | 2 | 0.02 |
| 39 | 3030003 | WASHER | M10/11 ZN DIN 126 | 10 | 0 |
| 40 | 3020001 | NUT | M8 ZN DIN 985 | 4 | 0.01 |
| 41 | 3060092 | SNAP RING | AS 30X2 ZN DIN 471 | 2 | 0 |
| 42 | 3060019 | SNAP RING | 30 DIN 472 | 2 | 0 |
| 43 | 3050003 | GREASE NIPPLE | M8X1,25 DIN 71412 | 1 | 0 |
| 44 | 3090917 | CONNECTOR (STRAIGHT) | 26-040010810 R 1/2" -7/8"JIC | 9 | 0.11 |
| 45 | 3090654 | CONNECTOR | 1010-10-10 | 1 | 0.09 |
| 46 | 3110042 | USIT-SEAL | R-08 R 1/2" | 9 | 0.01 |
| 100 | 3132972 | HYDRAULIC HOSE | A50005-10-08/241X-08/500200-10-08/L=2200 | 4 | 0 |
| 101 | 3132973 | HYDRAULIC HOSE | 500200-10-08/241T-08/500200-10-08/L=1100 | 4 | |
| 102 | 3133073 | HYDRAULIC HOSE | 500200-10-08/241T-08/A50064-10-08/L=1100 | 2 | |

90025769
L = 4620



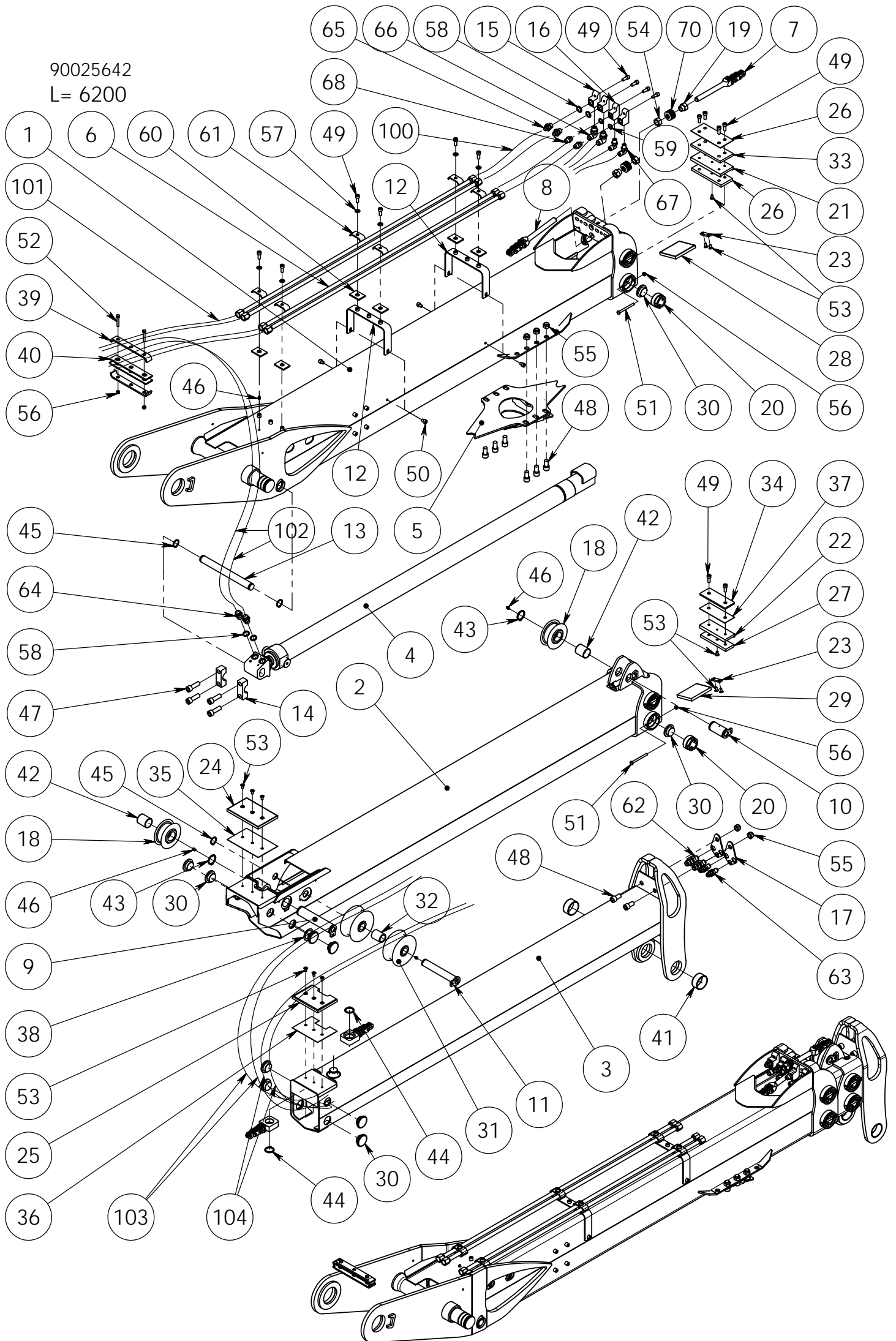
| | | | |
|---------------|---------------|----------|------------|
| Item code | 90025769 | Revision | A |
| Title | OUTER BOOM | Date | 26.09.2012 |
| Specification | L=4620 1-JATK | | |

| Pos | Item code | Title | Specification | Pc | Nto Weight |
|-----|-----------|-------------|-----------------------|----|------------|
| 1 | 90025770 | OUTER BOOM | L=2865 HITS+ KON | 1 | 147.58 |
| 2 | 90025773 | EXTENSION | L=2395 HITS+KON | 1 | 90.01 |
| 3 | 90021354 | CYLINDER | 50/30 X 1650 | 1 | 28.91 |
| 4 | 90024897 | PIPE | L= 2244 KOK | 2 | 1.69 |
| 5 | 90024899 | PIPE | L=2285 KOK | 2 | 1.72 |
| 6 | 90021531 | RACK | HITS | 1 | 6.75 |
| 7 | 90021394 | FASTENER | HITS | 2 | 1.31 |
| 8 | 90025766 | FASTENER | L=204 HITS | 2 | 0.55 |
| 9 | 90021408 | CONNECTOR | R 1/2" | 2 | 0.35 |
| 10 | 90021396 | FASTENER | | 2 | 0.85 |
| 11 | 90018765 | AXLE | 30-304 | 1 | 1.68 |
| 12 | 90022463 | AXLE | 30-71 | 1 | 0.39 |
| 13 | 90020556 | FASTENER | L-180 | 1 | 1.18 |
| 14 | 90010345 | HOLDER | | 2 | 0.03 |
| 15 | 90014887 | GLIDE PAD | 120X155 | 1 | 0.24 |
| 16 | 90020563 | GLIDE PAD | 70X180 | 1 | 0.17 |
| 17 | 90014768 | GLIDE PAD | 12 X 90 X 120 | 2 | 0.15 |
| 18 | 90021397 | GLIDE PAD | 56X80-15X15 | 2 | 0.13 |
| 19 | 90011001 | GLIDE PAD | D=55-19/7 | 4 | 0.03 |
| 20 | 90025804 | SLEEVE | 40/31-11 | 2 | 0.01 |
| 21 | 90017085 | PLATE | 119X155 | 1 | 0.13 |
| 22 | 90020567 | PLATE | 80X180 | 1 | 0.11 |
| 23 | 21039422 | SHIM | 1XD=55 | 1 | 0.01 |
| 24 | 90021958 | FASTENER | 4X30-215 | 2 | 0.2 |
| 25 | 90010442 | FASTENER | LT4X30-72 | 6 | 0.07 |
| 26 | 90021961 | RUBBER | 5X40-190 | 2 | 0.05 |
| 27 | 90010443 | RUBBER | 5X55-40 | 6 | 0.01 |
| 28 | 3100225 | BUSHING | WB 802 6030 | 2 | 0.11 |
| 29 | 3010700 | ALLEN SCREW | M16X30 8.8 ZN DIN 912 | 6 | 0 |
| 30 | 3010580 | ALLEN SCREW | M12X50 8.8 ZN DIN 912 | 2 | 0 |
| 31 | 3010604 | ALLEN SCREW | M12X20 8.8 DIN 912 | 8 | 0 |
| 32 | 3010685 | ALLEN SCREW | M10X25 8.8 ZN DIN 912 | 10 | 0 |
| 33 | 3010297 | ALLEN SCREW | M10X12 8.8 ZN DIN 912 | 4 | 0 |
| 34 | 3010447 | HEW SCREW | M8X100 8.8 ZN DIN 931 | 2 | 0 |
| 35 | 3010072 | HEW SCREW | M8X50 8.8 ZN DIN 931 | 2 | 0 |
| 36 | 3010190 | ALLEN SCREW | M8X16 10.9 DIN 7991 | 8 | 0 |

| | | | |
|---------------|---------------|----------|------------|
| Item code | 90025769 | Revision | A |
| Title | OUTER BOOM | Date | 26.09.2012 |
| Specification | L=4620 1-JATK | | |

| Pos | Item code | Title | Specification | Pc | Nto Weight |
|-----|-----------|----------------------|--|----|------------|
| 37 | 3020010 | NUT | M16 ZN DIN 985 | 6 | 0.03 |
| 38 | 3020005 | NUT | M12 ZN DIN 985 | 2 | 0.02 |
| 39 | 3030003 | WASHER | M10/11 ZN DIN 126 | 10 | 0 |
| 40 | 3020001 | NUT | M8 ZN DIN 985 | 4 | 0.01 |
| 41 | 3060092 | SNAP RING | AS 30X2 ZN DIN 471 | 2 | 0 |
| 42 | 3060019 | SNAP RING | 30 DIN 472 | 2 | 0 |
| 43 | 3050003 | GREASE NIPPLE | M8X1,25 DIN 71412 | 1 | 0 |
| 44 | 3090917 | CONNECTOR (STRAIGHT) | 26-040010810 R 1/2" -7/8"JIC | 9 | 0.11 |
| 45 | 3090654 | CONNECTOR | 1010-10-10 | 1 | 0.09 |
| 46 | 3110042 | USIT-SEAL | R-08 R 1/2" | 9 | 0.01 |
| 100 | 3132972 | HYDRAULIC HOSE | A50005-10-08/241X-08/500200-10-08/L=2200 | 4 | 0 |
| 101 | 3132973 | HYDRAULIC HOSE | 500200-10-08/241T-08/500200-10-08/L=1100 | 4 | |
| 102 | 3133073 | HYDRAULIC HOSE | 500200-10-08/241T-08/A50064-10-08/L=1100 | 2 | |

90025642
L= 6200



| | | | |
|---------------|---------------|----------|------------|
| Item code | 90025642 | Revision | B |
| Title | OUTER BOOM | Date | 03.07.2012 |
| Specification | L=6200 2-JATK | | |

| Pos | Item code | Title | Specification | Pc | Nto Weight |
|-----|-----------|-------------|------------------|----|------------|
| 1 | 90025643 | OUTER BOOM | L=2845 HITS+KON | 1 | 157.79 |
| 2 | 90025646 | EXTENSION 1 | L= 2450 | 1 | 78.97 |
| 3 | 90023015 | EXTENSION 2 | L=2170 | 1 | 72.35 |
| 4 | 28870001 | CYLINDER | 70/40X1550 | 1 | 29.6 |
| 5 | 90021531 | RACK | HITS | 1 | 6.75 |
| 6 | 90021148 | PIPE | L=1420 | 4 | 1.12 |
| 7 | 90021171 | CHAIN | 3X4 (77 LENKKIÄ) | 1 | 1.51 |
| 8 | 90021172 | CHAIN | 3X4 (87 LENKKIÄ) | 1 | 1.51 |
| 9 | 90023019 | AXLE | 40-203 | 1 | 1.94 |
| 10 | 90023021 | AXLE | 40-88 | 1 | 0.82 |
| 11 | 90023024 | AXLE | 30-203 | 1 | 1.07 |
| 12 | 90025729 | FASTENER | L=224 HITS | 2 | 0.61 |
| 13 | 90018765 | AXLE | 30-304 | 1 | 1.68 |
| 14 | 90019106 | COVER | | 2 | 0.37 |
| 15 | 90019105 | CONNECTOR | R 1/2" | 2 | 0.32 |
| 16 | 90023027 | CONNECTOR | R 3/8" | 2 | 0.31 |
| 17 | 90019118 | FASTENER | R / JIC | 2 | 0.14 |
| 18 | 90021697 | WHEEL | R1", 3X4, D90 | 2 | 1.96 |
| 19 | 90017520 | NUT | M20-30 | 2 | 0.09 |
| 20 | 90016090 | FASTENER | | 8 | 0.35 |
| 21 | 90020556 | FASTENER | L-180 | 1 | 1.18 |
| 22 | 90023050 | FASTENER | | 1 | 0.77 |
| 23 | 90010345 | HOLDER | | 4 | 0.03 |
| 24 | 90020561 | GLIDE PAD | 120X190 | 1 | 0.31 |
| 25 | 90014887 | GLIDE PAD | 120X155 | 1 | 0.24 |
| 26 | 90020563 | GLIDE PAD | 70X180 | 1 | 0.17 |
| 27 | 90023052 | GLIDE PAD | 12X50X155 | 1 | 0.08 |
| 28 | 90020562 | GLIDE PAD | 120X100 | 2 | 0.17 |
| 29 | 90014768 | GLIDE PAD | 12 X 90 X 120 | 2 | 0.15 |
| 30 | 90011001 | GLIDE PAD | D=55-19/7 | 16 | 0.03 |
| 31 | 90023054 | ROLL | | 2 | 0.78 |
| 32 | 90024481 | SLEEVE | 40/31-48 | 1 | 0.02 |
| 33 | 90023238 | PLATE | | 1 | 1.09 |
| 34 | 90023239 | PLATE | | 1 | 0.43 |
| 35 | 90020566 | PLATE | 119X190 | 1 | 0.18 |
| 36 | 90017085 | PLATE | 119X155 | 1 | 0.13 |

| | | | |
|---------------|---------------|----------|------------|
| Item code | 90025642 | Revision | B |
| Title | OUTER BOOM | Date | 03.07.2012 |
| Specification | L=6200 2-JATK | | |

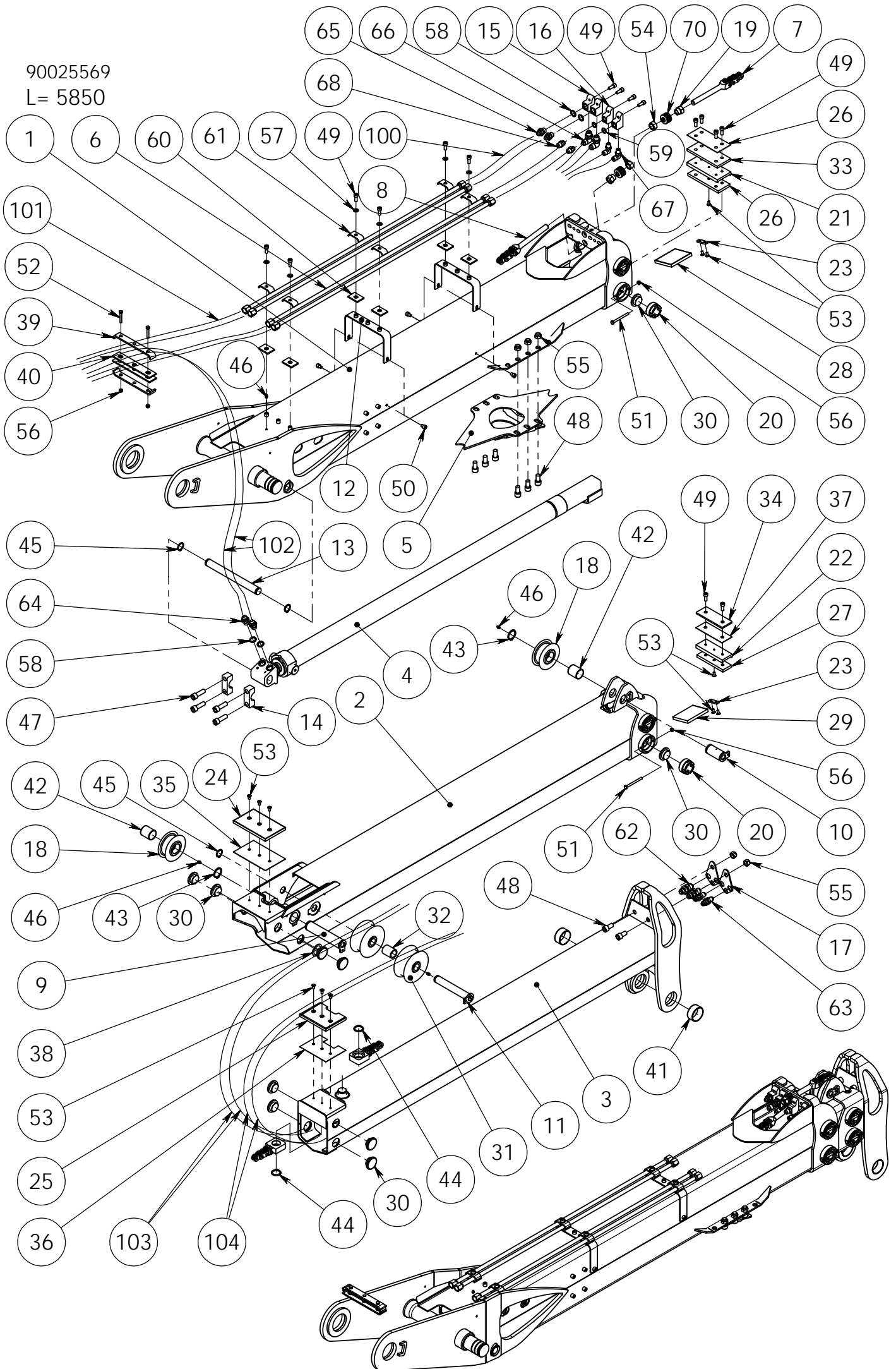
| Pos | Item code | Title | Specification | Pc | Nto Weight |
|-----|-----------|-------------------|--|----|------------|
| 37 | 90020567 | PLATE | 80X180 | 1 | 0.11 |
| 38 | 90023240 | PLATE | 60 X 155 | 1 | 0.07 |
| 39 | 21039422 | SHIM | 1XD=55 | 1 | 0.01 |
| 40 | 90013744 | FASTENER | | 2 | 0.32 |
| 41 | 90013489 | RUBBER | 5X40X220 | 2 | 0.06 |
| 42 | 3100225 | BUSHING | WB 802 6030 | 2 | 0.11 |
| 43 | 3100188 | BUSHING | WB 802 4050 | 2 | 0.1 |
| 44 | 3060100 | SNAP RING | AS 40X2.5 ZN DIN 471 | 2 | 0 |
| 45 | 3060091 | SNAP RING | AS 35X2.5 ZN DIN 471 | 2 | 0.01 |
| 46 | 3060092 | SNAP RING | AS 30X2 ZN DIN 471 | 3 | 0 |
| 47 | 3050003 | GREASE NIPPLE | M8X1,25 DIN 71412 | 4 | 0 |
| 48 | 3010301 | ALLEN SCREW | M16X50 12.9 DIN 912 | 4 | 0 |
| 49 | 3010700 | ALLEN SCREW | M16X30 8.8 ZN DIN 912 | 8 | 0 |
| 50 | 3010685 | ALLEN SCREW | M10X25 8.8 ZN DIN 912 | 16 | 0 |
| 51 | 3010297 | ALLEN SCREW | M10X12 8.8 ZN DIN 912 | 4 | 0 |
| 52 | 3010328 | HEW SCREW | M8X90 8.8 ZN DIN 931 | 8 | 0 |
| 53 | 3010072 | HEW SCREW | M8X50 8.8 ZN DIN 931 | 2 | 0 |
| 54 | 3010190 | ALLEN SCREW | M8X16 10.9 DIN 7991 | 16 | 0 |
| 55 | 3020032 | NUT | M20 ZN DIN 934/8 | 2 | 0 |
| 56 | 3020010 | NUT | M16 ZN DIN 985 | 8 | 0.03 |
| 57 | 3020001 | NUT | M8 ZN DIN 985 | 10 | 0.01 |
| 58 | 3030003 | WASHER | M10/11 ZN DIN 126 | 6 | 0 |
| 59 | 3110042 | USIT-SEAL | R-08 R 1/2" | 4 | 0.01 |
| 60 | 3110040 | USIT-SEAL | R-06 R 3/8" | 2 | 0 |
| 61 | 90010443 | RUBBER | 5X55-40 | 6 | 0.01 |
| 62 | 90010442 | FASTENER | LT4X30-72 | 6 | 0.07 |
| 63 | 3091036 | CONNECTOR | 1030-10-10 7/8" -7/8" | 2 | 0.19 |
| 64 | 3090952 | CONNECTOR | 29-1030-08-08 | 2 | 0.11 |
| 65 | 3090289 | CONNECTOR | 29-6010-08-10 | 2 | 0.11 |
| 66 | 3090485 | CONNECTOR | 6010-08-08 | 2 | 0.09 |
| 67 | 3090288 | CONNECTOR | 6310-08-10 R 1/2"- JIC 7/8" | 2 | 0.18 |
| 68 | 3090630 | CONNECTOR (ANGLE) | 6310-06-08 | 2 | 0.1 |
| 69 | 3090604 | CONNECTOR | 6010-06-08 | 2 | 0.07 |
| 70 | 3300150 | SPRING | 40X20.4X2.5 SF-TAF DIN 2093 | 16 | 0 |
| 100 | 3132997 | HYDRAULIC HOSE | A50005-08-08/241T-08/500200-10-08/L=600 | 4 | |
| 101 | 3132998 | HYDRAULIC HOSE | 500200-10-08/241T-08/500200-10-08/L=1000 | 4 | |

| | | | |
|---------------|---------------|----------|------------|
| Item code | 90025642 | Revision | B |
| Title | OUTER BOOM | Date | 03.07.2012 |
| Specification | L=6200 2-JATK | | |

| Pos | Item code | Title | Specification | Pc | Nto Weight |
|-----|-----------|----------------|--|----|------------|
| 102 | 3133073 | HYDRAULIC HOSE | 500200-10-08/241T-08/A50064-10-08/L=1100 | 2 | |
| 103 | 3132999 | HYDRAULIC HOSE | A50005-10-08/261E-08/A50005-10-08/L=4050 | 2 | 0 |
| 104 | 3133000 | HYDRAULIC HOSE | A50005-08-06/261E-06/A50005-08-06/L=4050 | 2 | |

90025569

L= 5850



| | | | |
|---------------|---------------|----------|------------|
| Item code | 90025569 | Revision | C |
| Title | OUTER BOOM | Date | 06.06.2012 |
| Specification | L=5850 2-JATK | | |

| Pos | Item code | Title | Specification | Pc | Nto Weight |
|-----|-----------|-------------|-----------------------|----|------------|
| 1 | 90025570 | OUTER BOOM | L=2700 HITS+KON | 1 | 153.42 |
| 2 | 90025591 | EXTENSION 1 | L= 2305 | 1 | 75.42 |
| 3 | 90024825 | EXTENSION 2 | L=2020 HITS | 1 | 69.04 |
| 4 | 28658001 | CYLINDER | 70/40X1450 | 1 | 40.35 |
| 5 | 90021531 | RACK | HITS | 1 | 6.75 |
| 6 | 90024831 | PIPE | L= 1275 | 4 | 1.02 |
| 7 | 90024833 | CHAIN | 3X4 (71 LENKKIÄ) KOK | 1 | 1.51 |
| 8 | 90021892 | CHAIN | 3X4 (81 LENKKIÄ) KOK | 1 | 1.51 |
| 9 | 90023019 | AXLE | 40-203 | 1 | 1.94 |
| 10 | 90023021 | AXLE | 40-88 | 1 | 0.82 |
| 11 | 90023024 | AXLE | 30-203 | 1 | 1.07 |
| 12 | 90025729 | FASTENER | L=224 HITS | 2 | 0.61 |
| 13 | 90018765 | AXLE | 30-304 | 1 | 1.68 |
| 14 | 90019106 | COVER | | 2 | 0.37 |
| 15 | 90019105 | CONNECTOR | R 1/2" | 2 | 0.32 |
| 16 | 90023027 | CONNECTOR | R 3/8" | 2 | 0.31 |
| 17 | 90019118 | FASTENER | R / JIC | 2 | 0.14 |
| 18 | 90021697 | WHEEL | R1", 3X4, D90 | 2 | 1.96 |
| 19 | 90017520 | NUT | M20-30 | 2 | 0.09 |
| 20 | 90016090 | FASTENER | | 8 | 0.35 |
| 21 | 90020556 | FASTENER | L-180 | 1 | 1.18 |
| 22 | 90023050 | FASTENER | | 1 | 0.77 |
| 23 | 90010345 | HOLDER | | 4 | 0.03 |
| 24 | 90020561 | GLIDE PAD | 120X190 | 1 | 0.31 |
| 25 | 90014887 | GLIDE PAD | 120X155 | 1 | 0.24 |
| 26 | 90020563 | GLIDE PAD | 70X180 | 1 | 0.17 |
| 27 | 90023052 | GLIDE PAD | 12X50X155 | 1 | 0.08 |
| 28 | 90020562 | GLIDE PAD | 120X100 | 2 | 0.17 |
| 29 | 90014768 | GLIDE PAD | 12 X 90 X 120 | 2 | 0.15 |
| 30 | 90011001 | GLIDE PAD | D=55-19/7 | 16 | 0.03 |
| 31 | 90023054 | ROLL | | 2 | 0.78 |
| 32 | 90024481 | SLEEVE | 40/31-48 | 1 | 0.02 |
| 33 | 90023238 | PLATE | | 1 | 1.09 |
| 34 | 90023239 | PLATE | | 1 | 0.43 |
| 35 | 90020566 | PLATE | 119X190 | 1 | 0.18 |
| 36 | 90017085 | PLATE | 119X155 | 1 | 0.13 |

| | | | |
|---------------|---------------|----------|------------|
| Item code | 90025569 | Revision | C |
| Title | OUTER BOOM | Date | 06.06.2012 |
| Specification | L=5850 2-JATK | | |

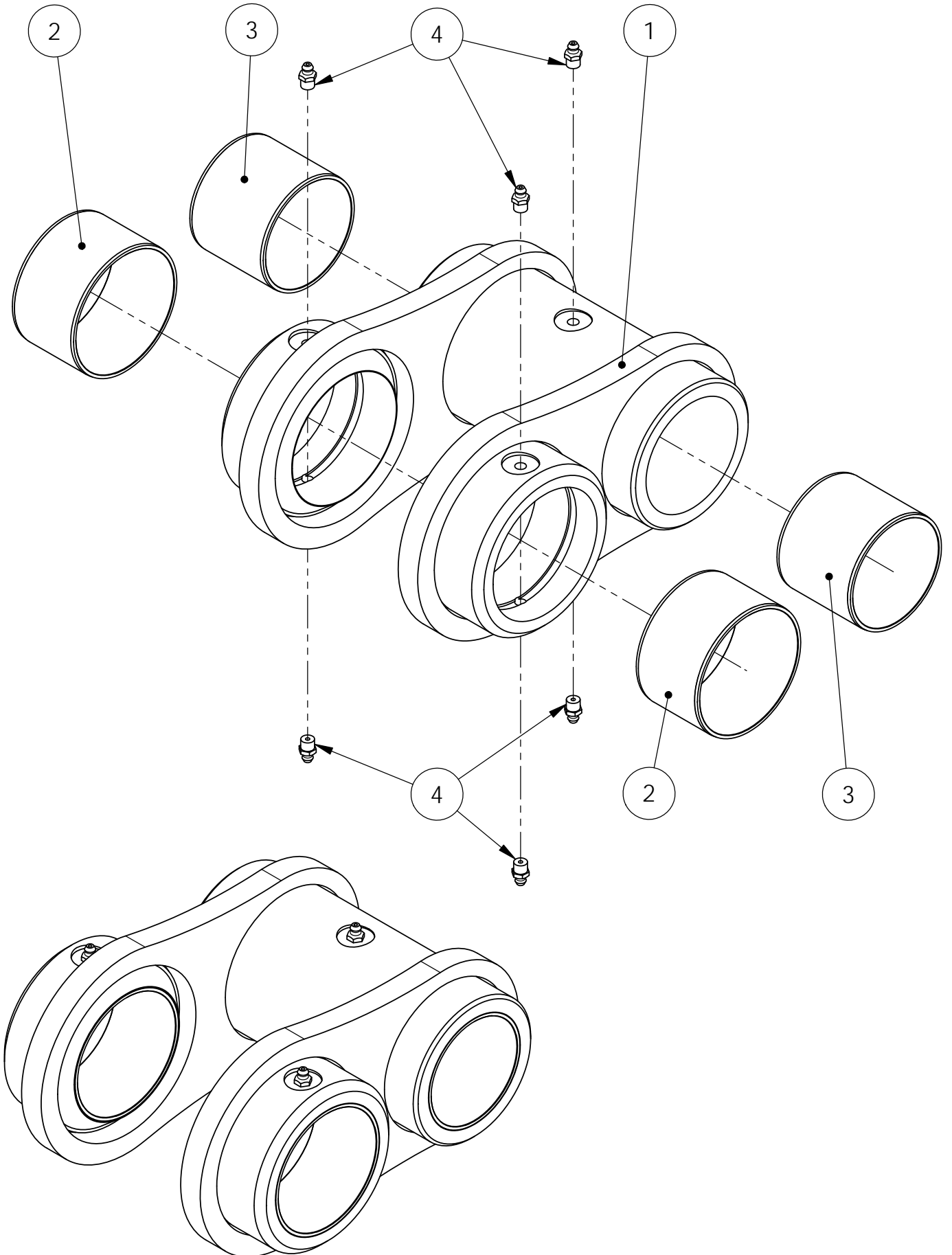
| Pos | Item code | Title | Specification | Pc | Nto Weight |
|-----|-----------|-------------------|--|----|------------|
| 37 | 90020567 | PLATE | 80X180 | 1 | 0.11 |
| 38 | 90023240 | PLATE | 60 X 155 | 1 | 0.07 |
| 39 | 21039422 | SHIM | 1XD=55 | 1 | 0.01 |
| 40 | 90013744 | FASTENER | | 2 | 0.32 |
| 41 | 90013489 | RUBBER | 5X40X220 | 2 | 0.06 |
| 42 | 3100225 | BUSHING | WB 802 6030 | 2 | 0.11 |
| 43 | 3100188 | BUSHING | WB 802 4050 | 2 | 0.1 |
| 44 | 3060100 | SNAP RING | AS 40X2.5 ZN DIN 471 | 2 | 0 |
| 45 | 3060091 | SNAP RING | AS 35X2.5 ZN DIN 471 | 2 | 0.01 |
| 46 | 3060092 | SNAP RING | AS 30X2 ZN DIN 471 | 3 | 0 |
| 47 | 3050003 | GREASE NIPPLE | M8X1,25 DIN 71412 | 4 | 0 |
| 48 | 3010301 | ALLEN SCREW | M16X50 12.9 DIN 912 | 4 | 0 |
| 49 | 3010700 | ALLEN SCREW | M16X30 8.8 ZN DIN 912 | 8 | 0 |
| 50 | 3010685 | ALLEN SCREW | M10X25 8.8 ZN DIN 912 | 16 | 0 |
| 51 | 3010297 | ALLEN SCREW | M10X12 8.8 ZN DIN 912 | 4 | 0 |
| 52 | 3010328 | HEW SCREW | M8X90 8.8 ZN DIN 931 | 8 | 0 |
| 53 | 3010072 | HEW SCREW | M8X50 8.8 ZN DIN 931 | 2 | 0 |
| 54 | 3010190 | ALLEN SCREW | M8X16 10.9 DIN 7991 | 16 | 0 |
| 55 | 3020032 | NUT | M20 ZN DIN 934/8 | 2 | 0 |
| 56 | 3020010 | NUT | M16 ZN DIN 985 | 8 | 0.03 |
| 57 | 3020001 | NUT | M8 ZN DIN 985 | 10 | 0.01 |
| 58 | 3030003 | WASHER | M10/11 ZN DIN 126 | 6 | 0 |
| 59 | 3110042 | USIT-SEAL | R-08 R 1/2" | 4 | 0.01 |
| 60 | 3110040 | USIT-SEAL | R-06 R 3/8" | 2 | 0 |
| 61 | 90010443 | RUBBER | 5X55-40 | 6 | 0.01 |
| 62 | 90010442 | FASTENER | LT4X30-72 | 6 | 0.07 |
| 63 | 3091036 | CONNECTOR | 1030-10-10 7/8" -7/8" | 2 | 0.19 |
| 64 | 3090952 | CONNECTOR | 29-1030-08-08 | 2 | 0.11 |
| 65 | 3090289 | CONNECTOR | 29-6010-08-10 | 2 | 0.11 |
| 66 | 3090485 | CONNECTOR | 6010-08-08 | 2 | 0.09 |
| 67 | 3090288 | CONNECTOR | 6310-08-10 R 1/2"- JIC 7/8" | 2 | 0.18 |
| 68 | 3090630 | CONNECTOR (ANGLE) | 6310-06-08 | 2 | 0.1 |
| 69 | 3090604 | CONNECTOR | 6010-06-08 | 2 | 0.07 |
| 70 | 3300150 | SPRING | 40X20.4X2.5 SF-TAF DIN 2093 | 16 | 0 |
| 100 | 3132997 | HYDRAULIC HOSE | A50005-08-08/241T-08/500200-10-08/L=600 | 4 | |
| 101 | 3132998 | HYDRAULIC HOSE | 500200-10-08/241T-08/500200-10-08/L=1000 | 4 | |

| | | | |
|---------------|---------------|----------|------------|
| Item code | 90025569 | Revision | C |
| Title | OUTER BOOM | Date | 06.06.2012 |
| Specification | L=5850 2-JATK | | |

| Pos | Item code | Title | Specification | Pc | Nto Weight |
|-----|-----------|----------------|--|----|------------|
| 102 | 3133073 | HYDRAULIC HOSE | 500200-10-08/241T-08/A50064-10-08/L=1100 | 2 | |
| 103 | 3133066 | HYDRAULIC HOSE | A50005-10-08/261E-08/A50005-10-08/L=3750 | 2 | |
| 104 | 3133067 | HYDRAULIC HOSE | A50005-08-06/261E-06/A50005-08-06/L=3750 | 2 | |

90025497

2109Z, 2110Z DRAW BAR

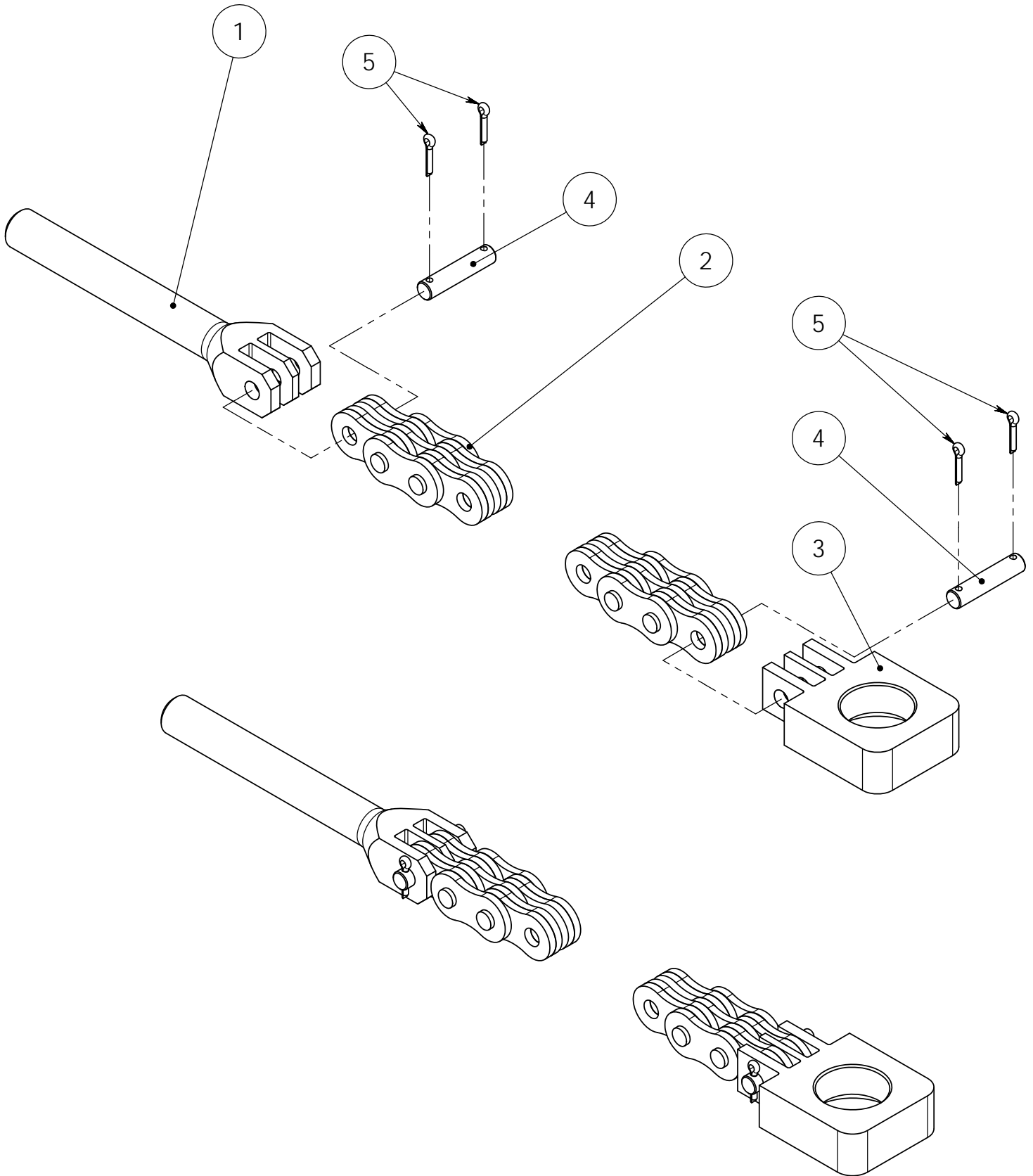


| | | | |
|---------------|----------|----------|------------|
| Item code | 90025497 | Revision | - |
| Title | DRAW BAR | Date | 21.05.2012 |
| Specification | VAR | | |

| Pos | Item code | Title | Specification | Pc | Nto Weight |
|-----|-----------|---------------|-------------------|----|------------|
| 1 | 90025490 | LINK | HITS+KON | 1 | 9.66 |
| 2 | 3100178 | BUSHING | WB 802 8050 | 2 | 0.25 |
| 3 | 3100185 | BUSHING | WB 802 7060 | 2 | 0.27 |
| 4 | 3050003 | GREASE NIPPLE | M8X1,25 DIN 71412 | 6 | 0 |

90021171

3 x 4 / 77 LINKS

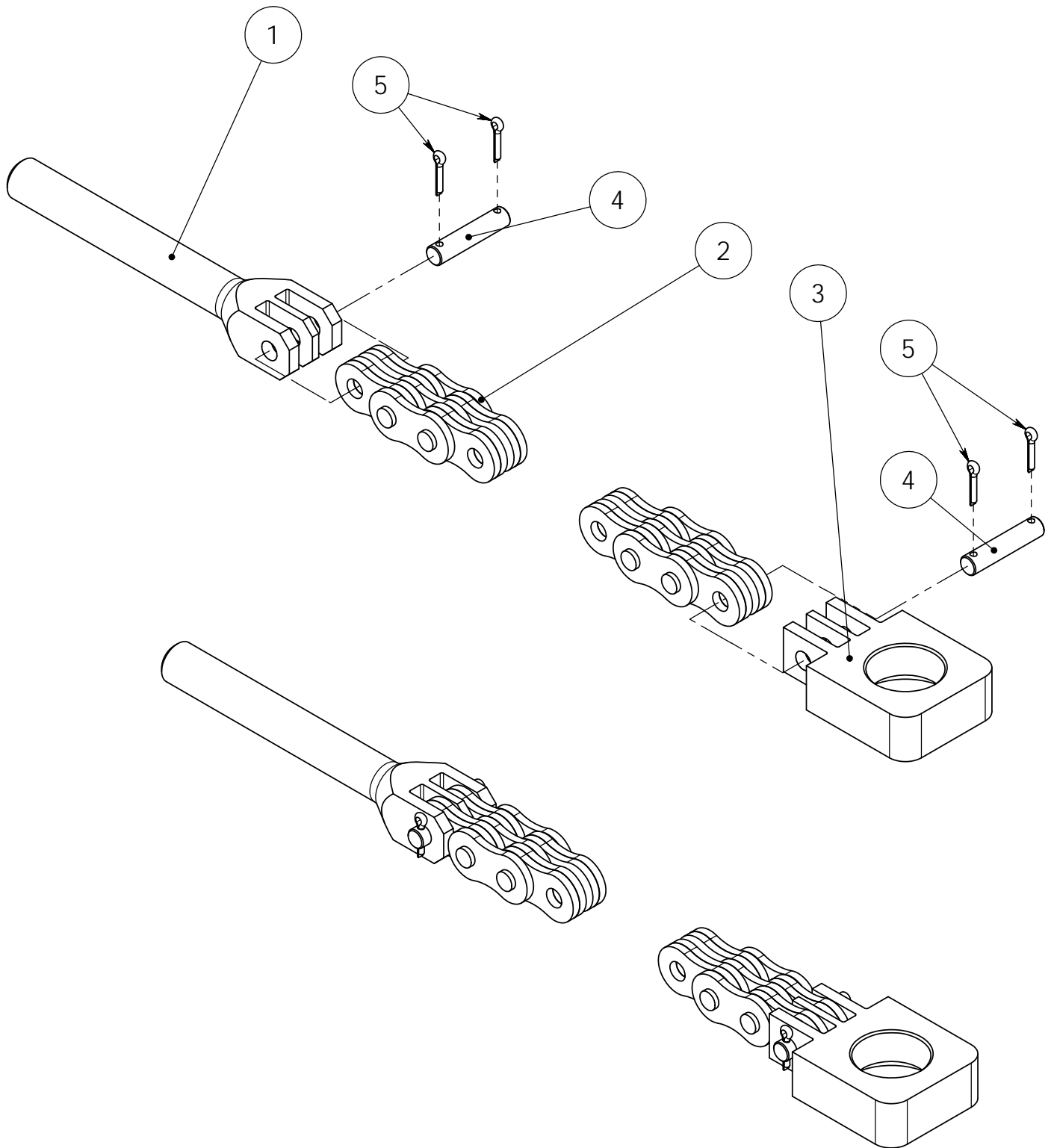


| | | | |
|---------------|------------------|----------|------------|
| Item code | 90021171 | Revision | A |
| Title | CHAIN | Date | 09.05.2006 |
| Specification | 3X4 (77 LENKKIÄ) | | |

| Pos | Item code | Title | Specification | Pc | Nto Weight |
|-----|-----------|------------|--|----|------------|
| 1 | 90021136 | TENSIONER | R 1" | 1 | 0.52 |
| 2 | 3190111 | CHAIN | LH 1634 L=1956 77 LENKKIÄ | 1 | 0.33 |
| 3 | 90021137 | CONNECTOR | R 1" | 1 | 0.53 |
| 4 | 3190184 | PIN | LIITINTAPPI D=9,53-43,7 KETJULLE BL834 | 2 | 0.02 |
| 5 | 3040060 | COTTER PIN | 3,2X20 ZN DIN 94 | 4 | 0 |

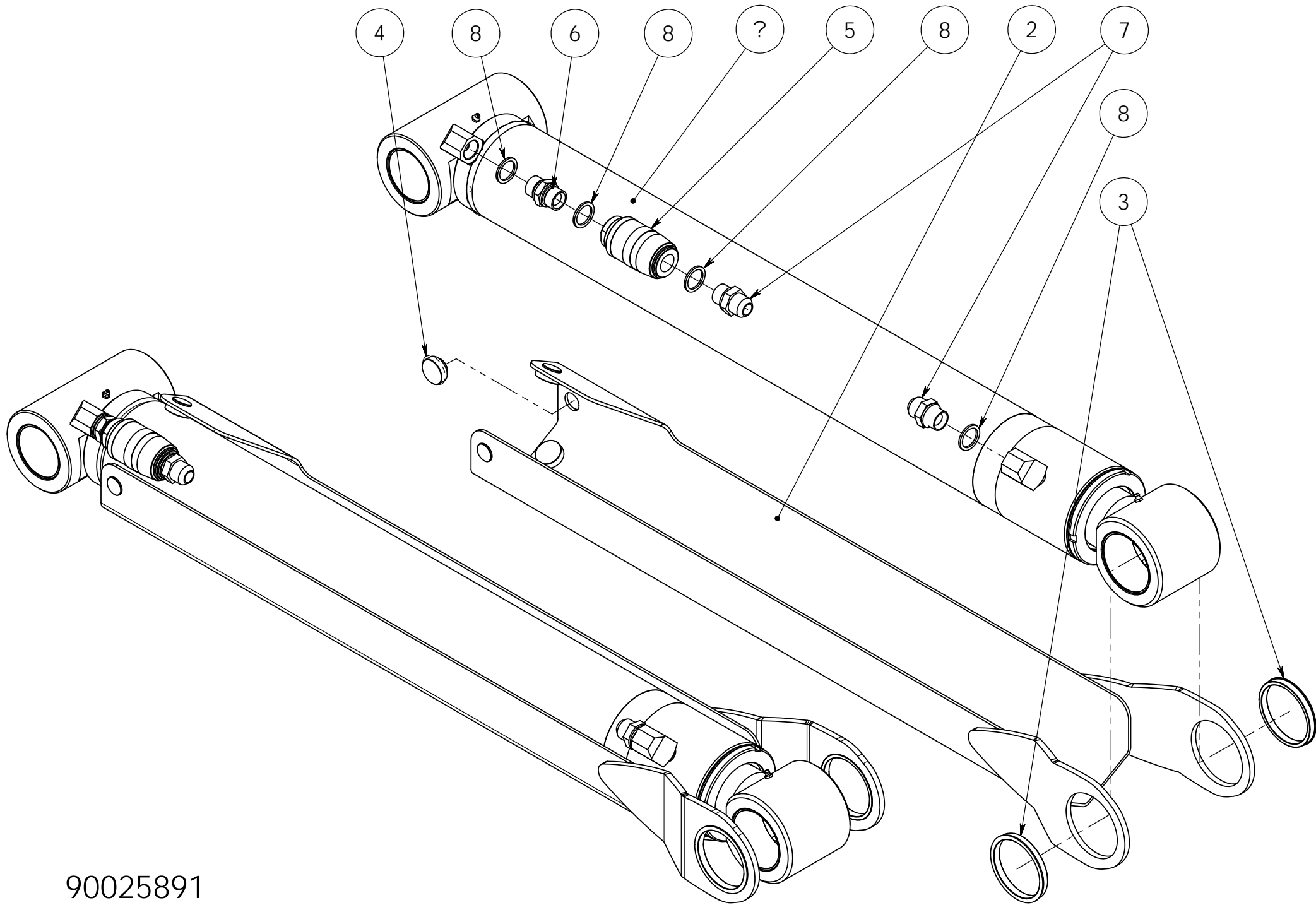
90021172

3 x 4/ 87 LINKS



| | | | |
|---------------|------------------|----------|------------|
| Item code | 90021172 | Revision | A |
| Title | CHAIN | Date | 10.05.2006 |
| Specification | 3X4 (87 LENKKIÄ) | | |

| Pos | Item code | Title | Specification | Pc | Nto Weight |
|-----|-----------|------------|--|----|------------|
| 1 | 90021136 | TENSIONER | R 1" | 1 | 0.52 |
| 2 | 3190112 | CHAIN | LH 1634 L=2210 (87 LENKKIÄ) | 1 | 0.33 |
| 3 | 90021137 | CONNECTOR | R 1" | 1 | 0.53 |
| 4 | 3190184 | PIN | LIITINTAPPI D=9,53-43,7 KETJULLE BL834 | 2 | 0.02 |
| 5 | 3040060 | COTTER PIN | 3,2X20 ZN DIN 94 | 4 | 0 |



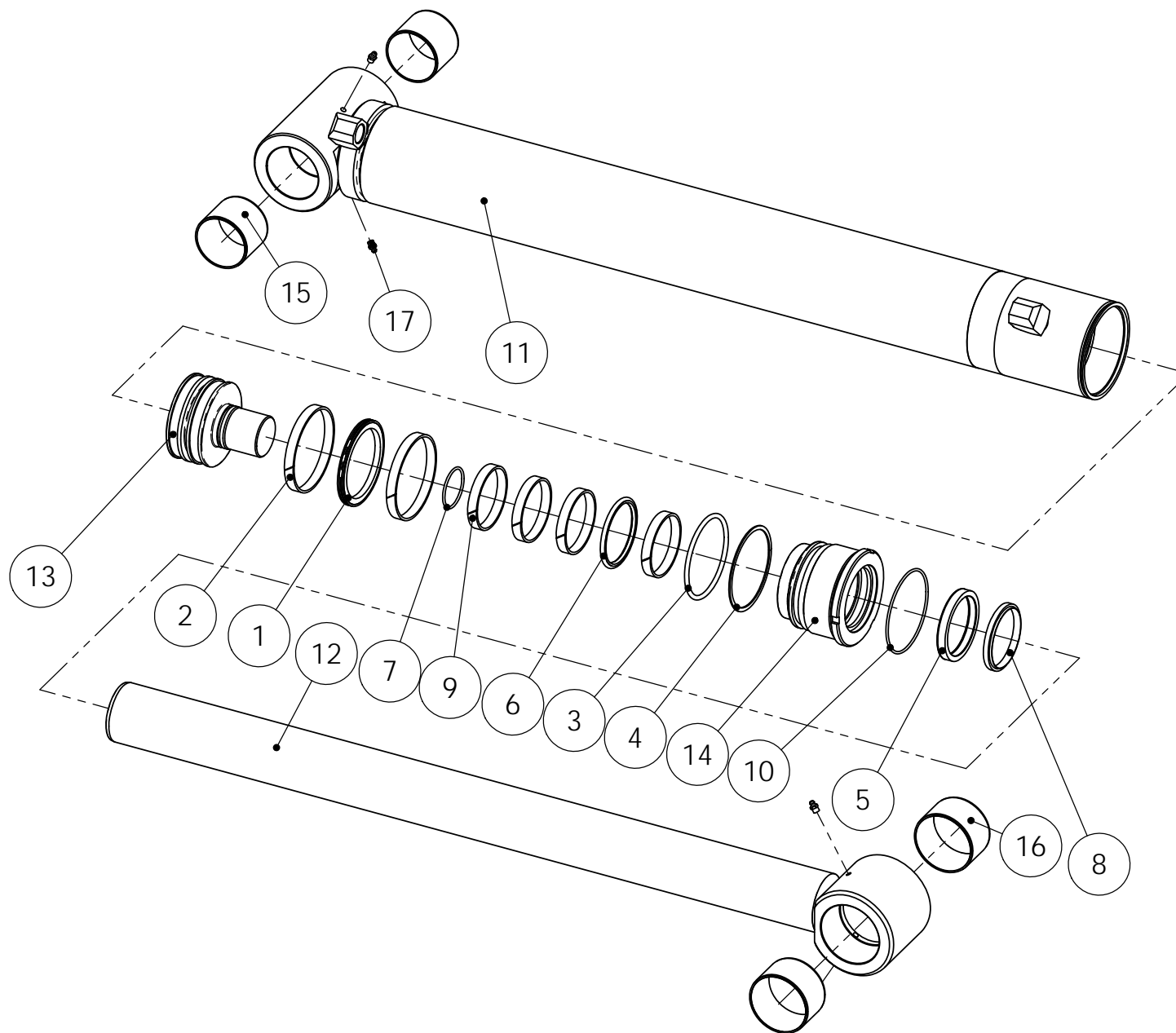
90025891
Ø 115/80x921



SPARE PART LIST

| | | | |
|---------------|-----------------------------------|----------|------------|
| Item code | 90025891 | Revision | - |
| Title | CYLINDER | Date | 21.11.2012 |
| Specification | 115/80 X 921 NOSTOSYLINTERI 2109Z | | |

| Pos | Item code | Title | Specification | Pc | Nto Weight |
|-----|-----------|----------------------|------------------------------------|----|------------|
| 1 | 28938001 | CYLINDER | 115/80X921 | 1 | 55.61 |
| 2 | 90024293 | COVER | NOSTOSYL SUOJA HITS | 1 | 13.64 |
| 3 | 90025618 | SLEEVE | 93/81-10 | 2 | 0.01 |
| 4 | 21038406 | GLIDE PAD | 35/25-16 | 5 | 0.01 |
| 5 | 3120235 | CHECK VALVE | | 1 | 1.24 |
| 6 | 3090185 | CONNECTOR (STRAIGHT) | 04000-12 | 1 | 0.14 |
| 7 | 3090918 | CONNECTOR (STRAIGHT) | R 3/4" -1 1/16" JIC 26-04001-12-12 | 2 | 0.16 |
| 8 | 3110130 | USIT-SEAL | R-12 R 3/4" | 4 | 0.01 |



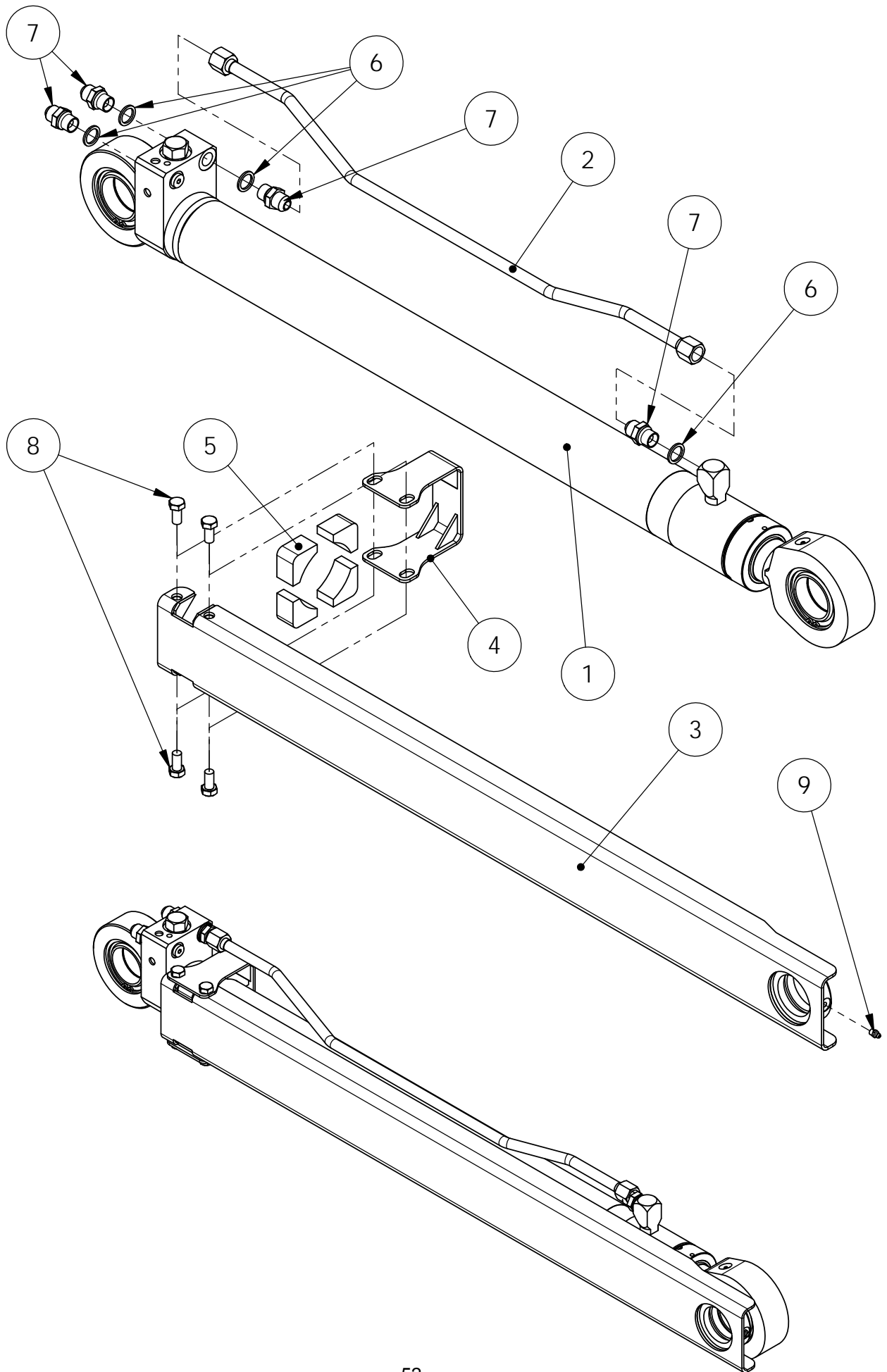
28938001 SYLINTERI



SPARE PART LIST

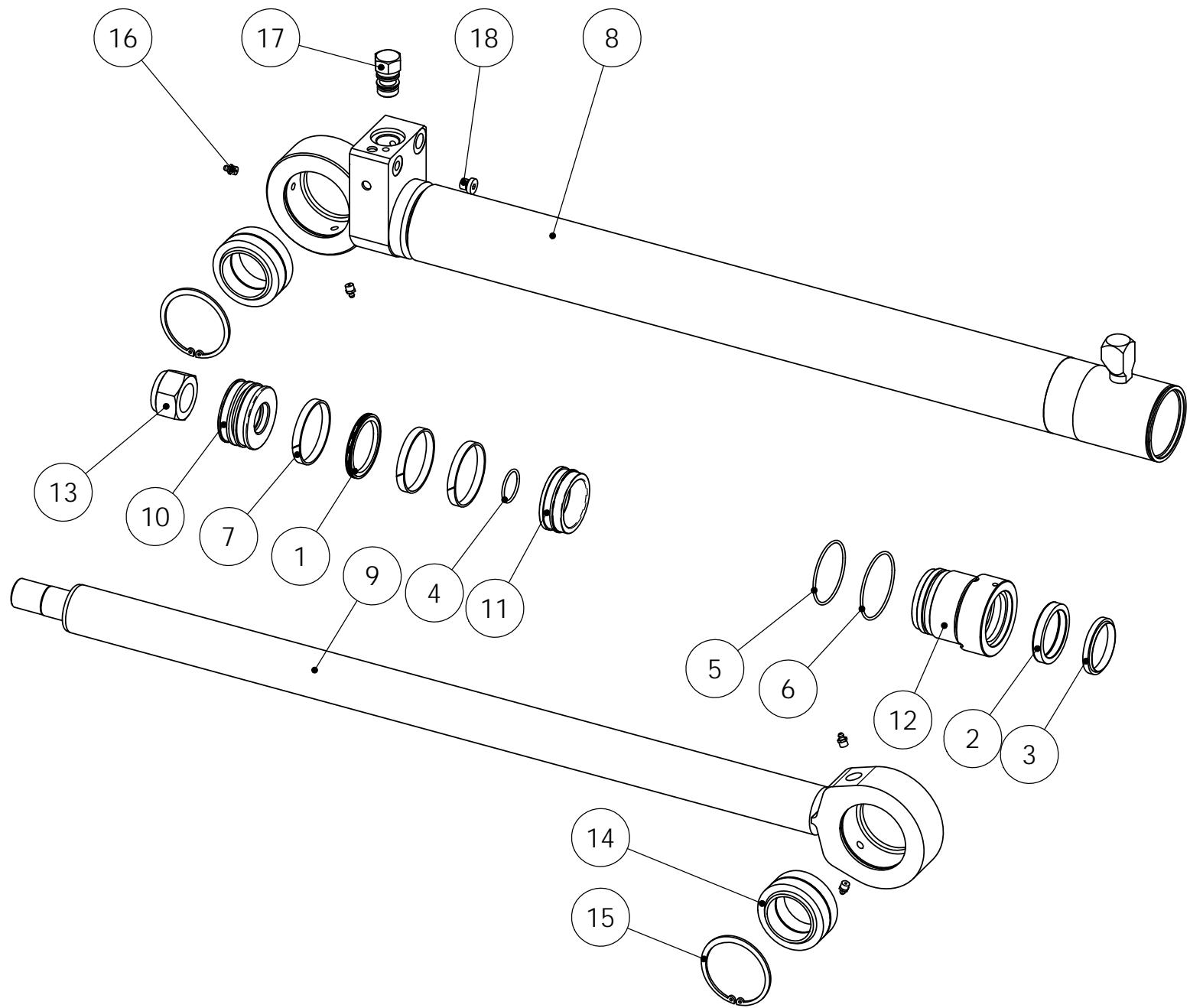
| | | | |
|---------------|------------|----------|------------|
| Item code | 28938001 | Revision | - |
| Title | SYLINTERI | Date | 20.11.2012 |
| Specification | 115/80X921 | | |

| Pos | Item code | Title | Specification | Dimensions | Pc | Amount | Unit | Nto Weight |
|-----|-----------|---|--------------------|------------|----|--------|------|------------|
| 1 | 3110772 | MÄNNÄNTIIVISTE KOLV TÄTNING PISTON SEAL KOLBENDICHTUNG | OK 115/94X8 | | 1 | | | 0.21 |
| 2 | 3110769 | MÄNNÄNOHJAIN KOLV STYRNING PISTON GUIDE KOLBENFÜHRUNG | E/PWR 115/109X13 | | 2 | | | 0.1 |
| 3 | 3110626 | O-RENGAS O-RING O-RING O-RING | 104.2X5.7 90 SHORE | | 1 | | | 0.07 |
| 4 | 3110627 | TUKIRENGAS STÖDRING SUPPORTING RING STÜTZRING | TR 115/105X1.7 PU | | 1 | | | 0 |
| 5 | 3110251 | VARRENTIIVISTE KOLVSTÄNGSTÄTNING ROD SEAL DICHTUNG FÜR KOLBENSTANGE | NI 300 80/95X12 | | 1 | | | 0.16 |
| 6 | 3110880 | VARRENTIIVISTE KOLVSTÄNGSTÄTNING ROD SEAL DICHTUNG FÜR KOLBENSTANGE | OMS-MR 80/95.1X6 | | 1 | | | 0.08 |
| 7 | 3110182 | O-RENGAS O-RING O-RING O-RING | 50.2X3 90 SHORE | | 1 | | | 0.01 |
| 8 | 3110111 | LUOVUTIN AVSTRYKARE WIPER SEAL ABSTREIFER | GA 80/90X7/10 | | 1 | | | 0.08 |
| 9 | 3110788 | OHJAIN STYRNING GUIDANCE STEUERUNG | I/PWR 80/86X13 | | 4 | | | 0.08 |
| 10 | 3110290 | O-RENGAS O-RING O-RING O-RING | 108X3.0 70 SHORE | | 1 | | | 0.02 |
| 11 | 28938101 | SYLINTERIPUTKI CYLINDERRÖR CYLINDER BARREL ZYLINDERROHR | 115/80X921 | | 1 | | | 15.28 |
| 12 | 28923204 | MÄNNÄNVARSI KOLVSTÄNG PISTON ROD KOLBENSTANGE | 80/50-1048 | | 1 | | | 30.8 |
| 13 | 28938201 | MÄNTÄ KOLV PISTON KOLBEN | 115 | L=120 | 1 | | | 3.98 |
| 14 | 28938202 | OHJAIN STYRNING GUIDANCE STEUERUNG | 115/80 | L=100 | 1 | | | 3.36 |
| 15 | 3100185 | LIUKULAAKERI BUSSNING BUSHING GLEITLAGER | WB 802 7060 | | 2 | | | 0.27 |
| 16 | 3100178 | LIUKULAAKERI BUSSNING BUSHING GLEITLAGER | WB 802 8050 | | 2 | | | 0.25 |
| 17 | 3050003 | RASVANIPPA SMÖRJNIPPEL GREASE NIPPLE SCHMIERNIPPEL | M8X1,25 DIN 71412 | | 4 | | | 0 |
| -10 | 3111059 | TIIIVISTESARJA TÄTNNNGSSATS SEAL KIT DICHTUNGSSATZ | 115/80 | | 1 | | | |



| | | | |
|---------------|---------------|----------|------------|
| Item code | 90025549 | Revision | - |
| Title | CYLINDER | Date | 30.05.2012 |
| Specification | 80/60X880 VAR | | |

| Pos | Item code | Title | Specification | Pc | Nto Weight |
|-----|-----------|----------------------|-------------------------------|----|------------|
| 1 | 28907001 | CYLINDER | 80/60X880 | 1 | 59.19 |
| 2 | 90022950 | HYDRAULIC PIPE | KOK | 1 | 0.77 |
| 3 | 90025550 | COVER | HITS | 1 | 7.76 |
| 4 | 90025552 | FASTENER | HITS | 1 | 0.7 |
| 5 | 90023630 | GLIDE PAD | 12.5/45X30 | 4 | 0.05 |
| 6 | 3110042 | USIT-SEAL | R-08 R 1/2" | 4 | 0.01 |
| 7 | 3090917 | CONNECTOR (STRAIGHT) | 26-040010810 R 1/2" -7/8" JIC | 4 | 0.11 |
| 8 | 3010442 | HEW SCREW | M12X25 8.8 ZN DIN 933 | 4 | 0 |
| 9 | 3050003 | GREASE NIPPLE | M8X1,25 DIN 71412 | 1 | 0 |



28907001 SYLINTERI



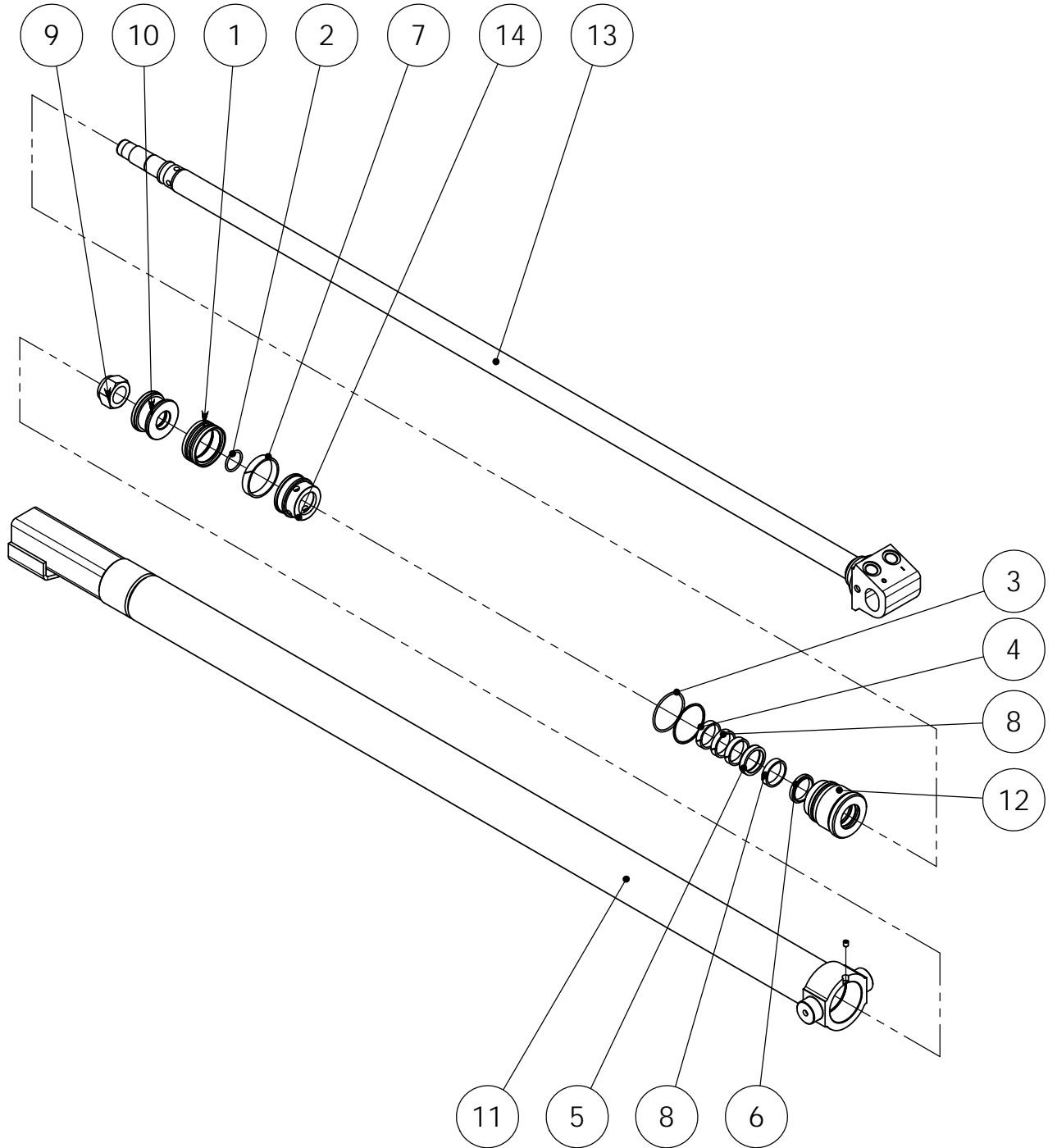
SPARE PART LIST

| | | | |
|---------------|-----------|----------|------------|
| Item code | 28907001 | Revision | - |
| Title | SYLINTERI | Date | 08.05.2012 |
| Specification | 80/60X880 | | |

| Pos | Item code | Title | Specification | Dimensions | Pc | Amount | Unit | Nto Weight |
|-----|-----------|---|------------------|------------|----|--------|------|------------|
| 1 | 3110810 | MÄNNÄNTIIVISTE KOLV TÄTNING PISTON SEAL KOLBENDICHTUNG | 300 80/64.5X6 | | 1 | | | 0.08 |
| 2 | 3110315 | VARRENTIIVISTE KOLVSTÄNGSTÄTNING ROD SEAL DICHTUNG FÜR KOLBENSTANGE | 60/75X11.4 | | 1 | | | 0.11 |
| 3 | 3110188 | LUOVUTIN AVSTRYKARE WIPER SEAL ABSTREIFER | GA 60/70X7/10 | | 1 | | | 0.06 |
| 4 | 3110254 | O-RENGAS O-RING O-RING O-RING | 36.2X3 90 SHORE | | 1 | | | 0.01 |
| 5 | 3110033 | O-RENGAS O-RING O-RING O-RING | 74.5X3 90 SHORE | | 1 | | | 0.01 |
| 6 | 3110107 | O-RENGAS O-RING O-RING O-RING | 79.5X3 90 SHORE | | 1 | | | 0.01 |
| 7 | 3111016 | OHJAIN STYRNING GUIDANCE STEUERUNG | 80/75X9,7 | | 3 | | | 0.05 |
| 8 | 28907101 | SYLINTERIPUTKI CYLINDERRÖR CYLINDER BARREL ZYLINDERROHR | 80/60X880 | | 1 | | | 10.95 |
| 9 | 28907204 | MÄNNÄNVARSI KOLVSTÄNG PISTON ROD KOLBENSTANGE | 60 | | 1 | | | 7.03 |
| 10 | 28847201 | MÄNTÄ KOLV PISTON KOLBEN | 80 | L=43 | 1 | | | 0.92 |
| 11 | 28907105 | HOLKKI HYLSA SLEEVE ACHSHALTER | ISKUNRAJOITIN | L=32 | 1 | | | 0.46 |
| 12 | 28907202 | OHJAIN STYRNING GUIDANCE STEUERUNG | 80/60 | | 1 | | | 2.1 |
| 13 | 3020043 | MUTTERI MUTTER NUT MUTTER | M36X3 ZN DIN 985 | | 1 | | | 0.42 |
| 14 | 3100048 | NIVELLAAKERI LEDLAGER JOINT BEARING GELENKLAGER | GE 60 ES | | 2 | | | 1.06 |
| 15 | 3060041 | PIDÄTINRENGAS LÄSRING SNAP RING SPRENGRING | 90X3 DIN 472 | | 2 | | | 0 |
| 16 | 3050020 | RASVANIPPA SMÖRJNIPPEL GREASE NIPPLE SCHMIERNIPPEL | R 1/8" ZN | | 4 | | | 0.01 |
| 17 | 28836108 | TULPPA PLUGG PLUG DECKEL | | L=55 | 1 | | | 0.23 |
| 18 | 3090211 | TULPPA PLUGG PLUG DECKEL | | | 1 | | | 0.02 |
| 1-7 | 3111017 | TIIIVISTESARJA TÄTNNSSATS SEAL KIT DICHTUNGSSATZ | 80/60 | | 1 | | | |

28658001

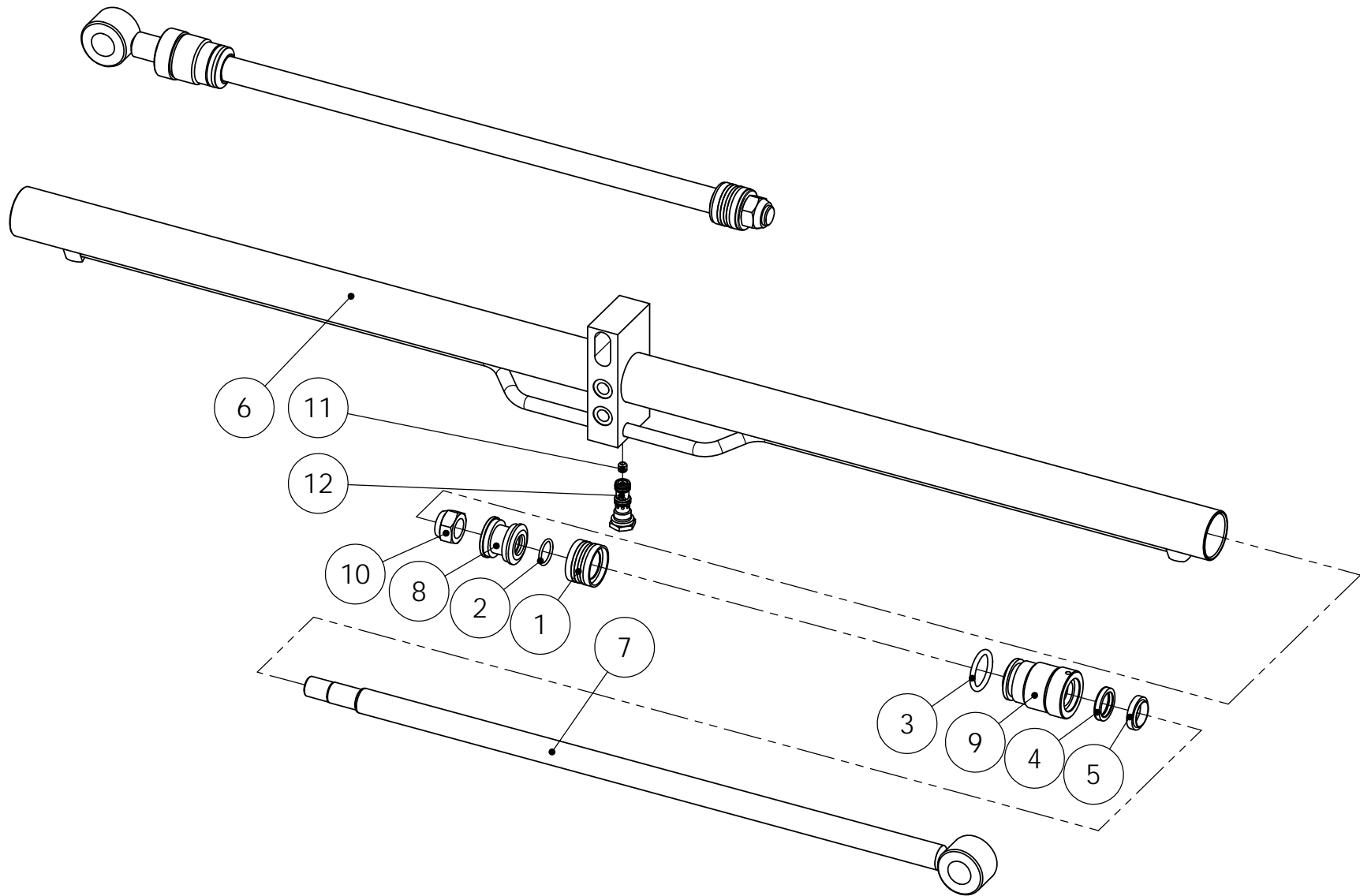
SYLINTERI



Testauspaine 270 bar

| | | | |
|---------------|------------|----------|------------|
| Item code | 28658001 | Revision | - |
| Title | CYLINDER | Date | 11.10.2006 |
| Specification | 70/40X1450 | | |

| Pos | Item code | Title | Specification | Pc | Nto Weight |
|-----|-----------|-----------------|--------------------|----|------------|
| 1 | 3110317 | PISTON SEAL | PDO 70/58X20 | 1 | 0.21 |
| 2 | 3110248 | O-RING | 31.5X3 90 SHORE | 1 | 0.01 |
| 3 | 3110009 | O-RING | 64.5X3 90 SHORE | 1 | 0.01 |
| 4 | 3110557 | SUPPORTING RING | 70/65X1.3 PU | 1 | 0 |
| 5 | 3110010 | ROD SEAL | NI 300 40/50X10 | 1 | 0.05 |
| 6 | 3110011 | WIPER SEAL | PW 40 | 1 | 0.03 |
| 7 | 3110697 | PISTON GUIDE | E/PWR 70/64X13 | 1 | 0.06 |
| 8 | 3110735 | GUIDANCE | I/PWR 40/46X10 | 4 | 0.03 |
| 9 | 3020145 | NUT | M30X2 ZN DIN 980 V | 1 | 0.24 |
| 10 | 28349201 | PISTON | D=70 (PDO-IIIV.) | 1 | 0.64 |
| 11 | 28658101 | CYLINDER BARREL | 70/1450 | 1 | 20.08 |
| 12 | 28581202 | GUIDANCE | 70/40 | 1 | 1.38 |
| 13 | 28658204 | PISTON ROD | D=40 | 1 | 16.51 |
| 14 | 28581105 | SLEEVE | ISKURAJOITIN L=42 | 1 | 0.52 |
| 15 | 3010175 | ALLEN SCREW | M8X10 ZN DIN 914 | 1 | 0 |
| SRJ | 3110736 | SEAL KIT | 70/40 | 1 | 0.49 |



28864001 LEVITYSSYLINTERI



SPARE PART LIST

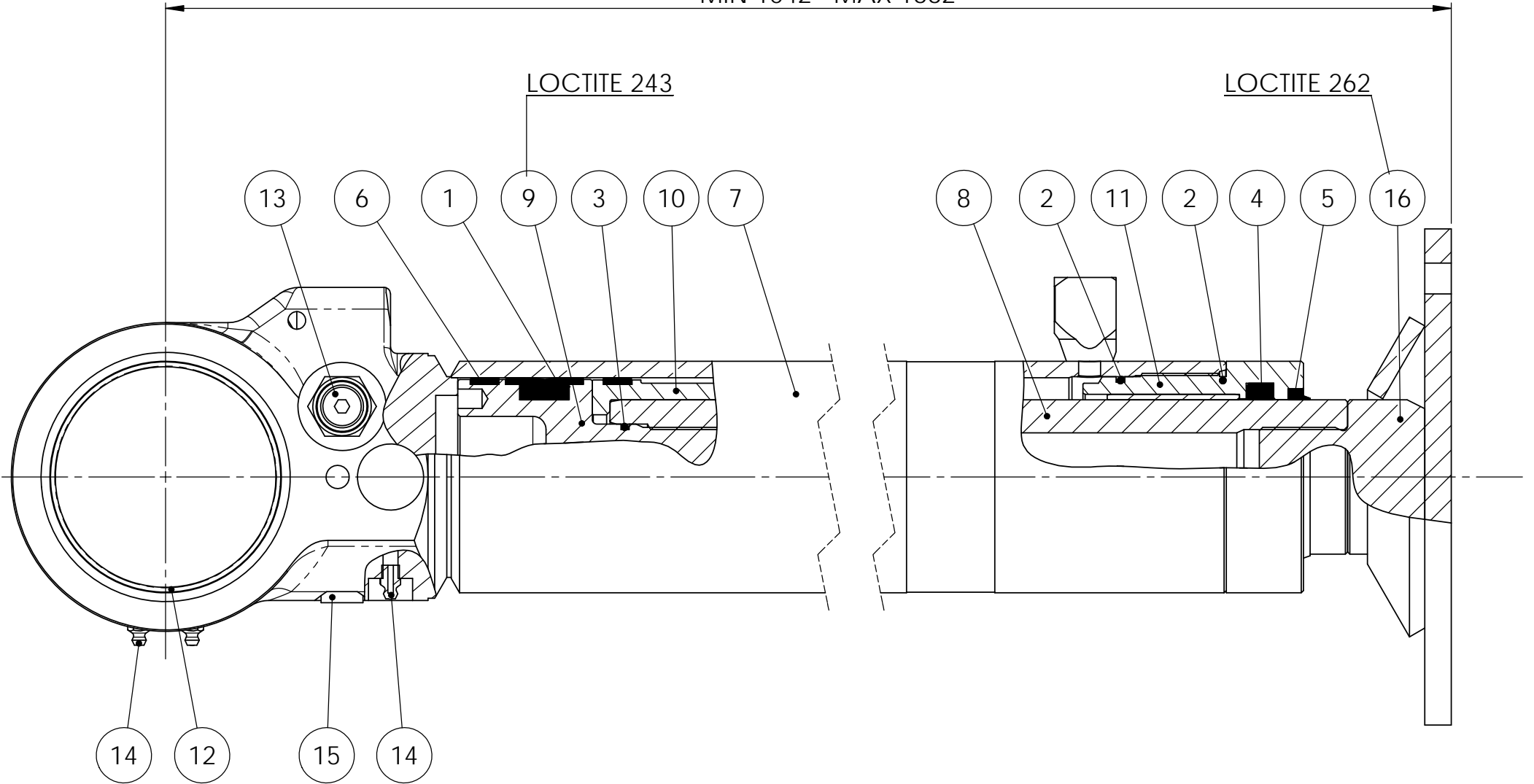
| | | | |
|---------------|------------------|----------|------------|
| Item code | 28864001 | Revision | - |
| Title | LEVITYSSYLINTERI | Date | 17.12.2012 |
| Specification | 50/30X2X650 | | |

| Pos | Item code | Title | Specification | Dimensions | Pc | Amount | Unit | Nto Weight |
|-----|-----------|---|-------------------|------------|----|--------|------|------------|
| 1 | 3110013 | MÄNNÄNTIIVISTE KOLV TÄTNING PISTON SEAL KOLBENDICHTUNG | DAS 50/34X18 | | 2 | | | 0.18 |
| 2 | 3110003 | O-RENGAS O-RING O-RING O-RING | 26.2X3 70 SHORE | | 2 | | | 0.01 |
| 3 | 3110288 | O-RENGAS O-RING O-RING O-RING | 39.2X5.7 90 SHORE | | 2 | | | 0.03 |
| 4 | 3110030 | VARRENTIIVISTE KOLVSTÄNGSTÄTNING ROD SEAL DICHTUNG FÜR KOLBENSTANGE | T22 30/40X7.3 | | 2 | | | 0.02 |
| 5 | 3110313 | LUOVUTIN AVSTRYKARE WIPER SEAL ABSTREIFER | GA 30/40X7/10 | | 2 | | | 0.03 |
| 6 | 28864101 | SYLINDERIPUTKI CYLINDERRÖR CYLINDER BARREL ZYLINDERROHR | 50/30X2X650 | | 1 | | | 14.3 |
| 7 | 28772204 | MÄNNÄNVARSI KOLVSTÄNG PISTON ROD KOLBENSTANGE | 50/30 X 2 X 650 | | 2 | | | 5.2 |
| 8 | 28337201 | MÄNTÄ KOLV PISTON KOLBEN | D=50 DBM | L=43 | 2 | | | 0.26 |
| 9 | 28337202 | OHJAIN STYRNING GUIDANCE STEUERUNG | 50/30 | L=82 | 2 | | | 0.82 |
| 10 | 3020026 | MUTTERI MUTTER NUT MUTTER | M24 ZN DIN 985 | | 2 | | | 0.11 |
| 11 | 21510225 | KURISTIN STRYP RESTRICTOR DROSSEL | M10X10/D=1.0 | | 1 | | | 0 |
| 12 | 3120843 | VENTTIILI VENTIL VALVE VENTIL | | | 1 | | | 0.13 |
| 1-5 | 3110324 | TIIVISTESARJA TÄTNNNGSSATS SEAL KIT DICHTUNGSSATZ | 50/30 | | 1 | | | |

MIN 1042 MAX 1662

LOCTITE 243

LOCTITE 262



28919001



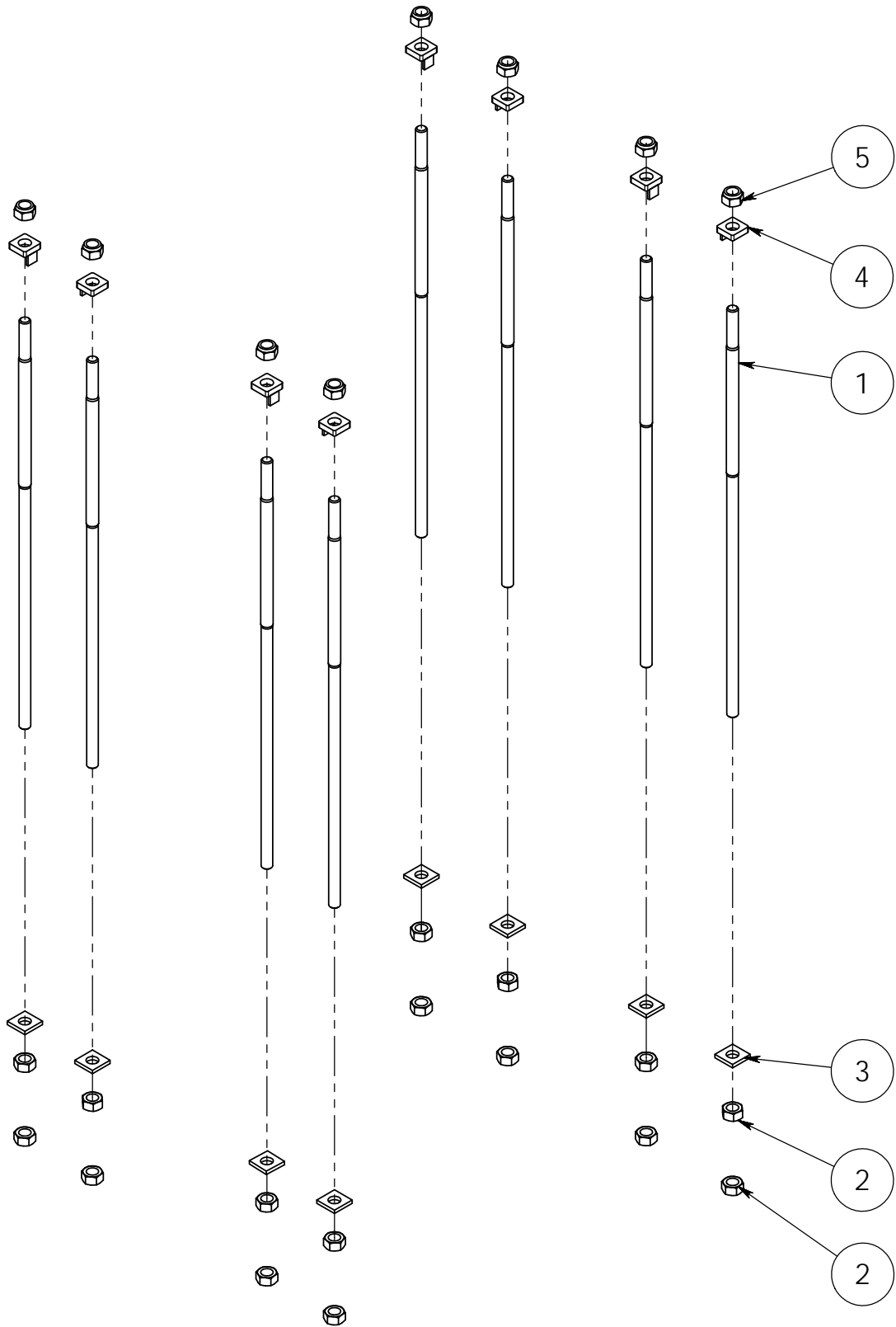
SPARE PART LIST

| | | | |
|---------------|-----------|----------|------------|
| Item code | 28919001 | Revision | - |
| Title | CYLINDER | Date | 07.06.2012 |
| Specification | 90/70X620 | | |

| Pos | Item code | Title | Specification | Pc | Nto Weight |
|-----|-----------|-----------------|----------------------------|----|------------|
| 1 | 3110025 | PISTON SEAL | DAS 90/70X22 | 1 | 0.5 |
| 2 | 3110017 | O-RING | 84.5X3 90 SHORE | 2 | 0.02 |
| 3 | 3110258 | O-RING | 42.2X3 90 SHORE | 1 | 0.01 |
| 4 | 3110184 | ROD SEAL | B 70/85X12 POLYPAC BALSELE | 1 | 0.17 |
| 5 | 3110196 | WIPER SEAL | GA 70/80X7/10 | 1 | 0.07 |
| 6 | 3110397 | PISTON GUIDE | E/PWR 90/84X13 | 2 | 0.08 |
| 7 | 28861101 | CYLINDER BARREL | 90/70X600 | 1 | 32.54 |
| 8 | 28919302 | PISTON ROD | 70 | 1 | 15.91 |
| 9 | 28918201 | PISTON | 90 | 1 | 2.4 |
| 10 | 28554105 | SLEEVE | ISKURAJOITINHOLKKI | 1 | 0.96 |
| 11 | 28358202 | GUIDANCE | 90/70 | 1 | 2.43 |
| 12 | 3100344 | BUSHING | WB 802 10060 | 2 | 0.38 |
| 13 | 3120843 | VALVE | | 1 | 0.13 |
| 14 | 3050003 | GREASE NIPPLE | M8X1,25 DIN 71412 | 3 | 0 |
| 15 | 3090211 | PLUG | | 1 | 0.02 |
| 16 | 28918106 | BASE | TUKIJALKA | 1 | 6.02 |
| 1-6 | 3111025 | SEAL KIT | 90/70 | 1 | |

90024053

FASTENING KIT L = 1200



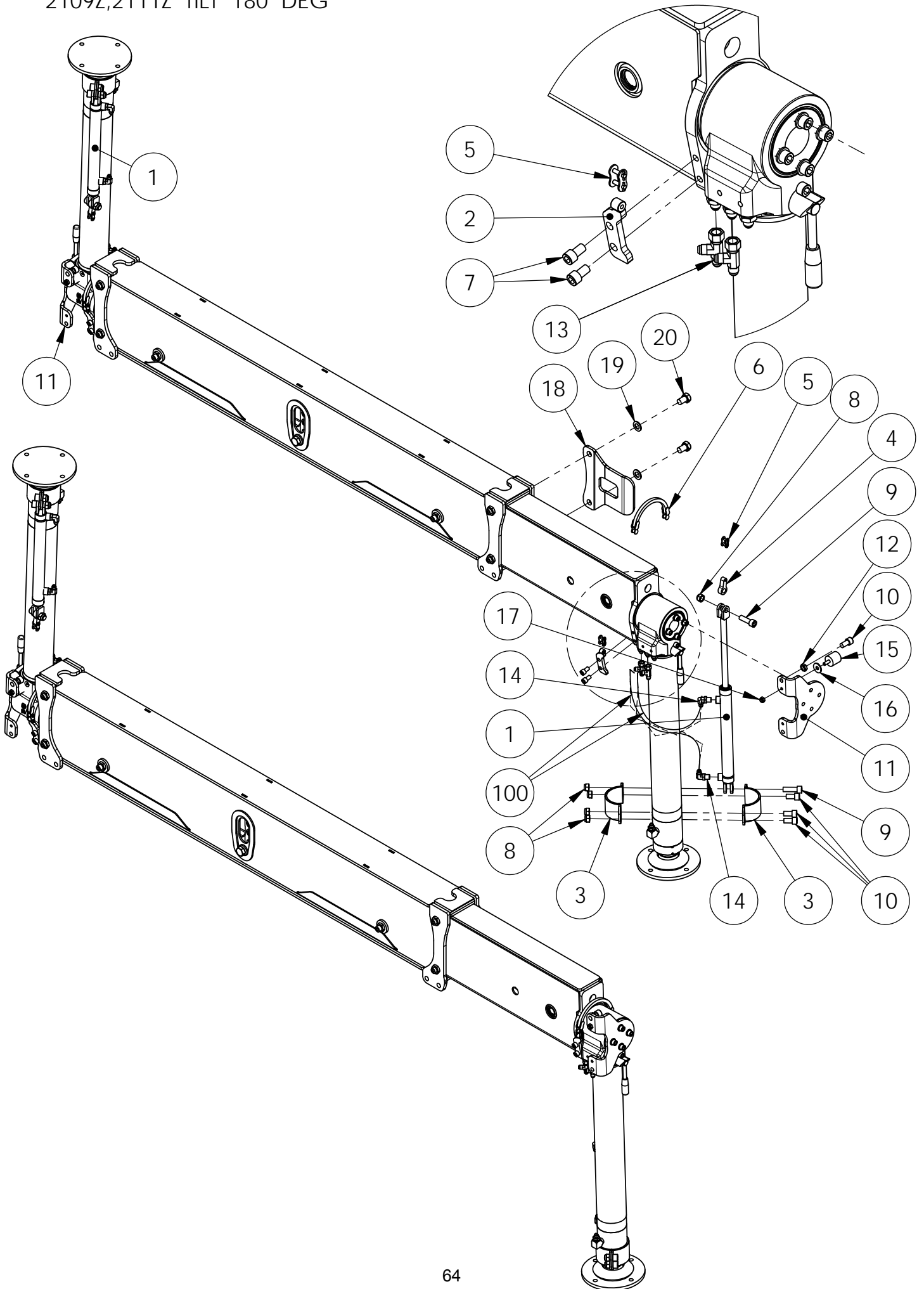
MOMENT 1200Nm (122 kpm)

| | | | |
|---------------|---------------|----------|------------|
| Item code | 90024053 | Revision | A |
| Title | FASTENING KIT | Date | 15.11.2010 |
| Specification | L=1200 | | |

| Pos | Item code | Title | Specification | Pc | Nto Weight |
|-----|-----------|--------|------------------|----|------------|
| 1 | 90024052 | SCREW | M30X2-1200 | 8 | 6.06 |
| 2 | 3020170 | NUT | M30X2 ZN DIN 934 | 16 | 0 |
| 3 | 90014010 | WASHER | 60X60/31-10 | 8 | 0.22 |
| 4 | 90013054 | WASHER | M30-16 | 8 | 0.28 |
| 5 | 3020041 | NUT | M30X2 ZN DIN 985 | 8 | 0.24 |

90025615

2109Z,2111Z TILT 180 DEG



| | | | |
|---------------|--------------|----------|------------|
| Item code | 90025615 | Revision | B |
| Title | STABILIZER | Date | 25.06.2012 |
| Specification | TILT 180 DEG | | |

| Pos | Item code | Title | Specification | Pc | Nto Weight |
|-----|-----------|----------------|---|----|------------|
| 1 | 28700001 | CYLINDER | 32/20X285 | 2 | 3.19 |
| 2 | 90025350 | FASTENER | | 2 | 0.22 |
| 3 | 90019675 | BAND | HITS | 4 | 0.76 |
| 4 | 90025354 | FASTENER | | 2 | 0.11 |
| 5 | 3190187 | JOINT | 12 B-1 (R 3/4") | 4 | 0.02 |
| 6 | 3190190 | CHAIN | 12 B-1 (R/4"), 19 LENKKIÄ (L=362) | 2 | 0.36 |
| 7 | 3010604 | ALLEN SCREW | M12X20 8.8 DIN 912 | 4 | 0 |
| 8 | 3020010 | NUT | M16 ZN DIN 985 | 10 | 0.03 |
| 9 | 3010282 | ALLEN SCREW | M16X50 8.8 ZN DIN 912 | 4 | 0 |
| 10 | 3010700 | ALLEN SCREW | M16X30 8.8 ZN DIN 912 | 8 | 0 |
| 11 | 90025357 | FLANGE | | 2 | 2.41 |
| 12 | 3020015 | NUT | M16 ZN DIN 936 | 2 | 0 |
| 13 | 3091229 | CONNECTOR | 1230-06-06-06 | 4 | 0.08 |
| 14 | 3091358 | CONNECTOR | 6310-06-06 | 4 | 0.09 |
| 15 | 3301887 | DAMPER | 40/40XM10 NR55 (509187,SIMRIT) | 2 | 0.06 |
| 16 | 3030105 | WASHER | M12 ZN DIN 9021 | 2 | 0.02 |
| 17 | 3020004 | NUT | M10 ZN DIN 985 | 2 | 0.01 |
| 18 | 90026497 | SUPPORT | | 2 | 2.83 |
| 19 | 3030055 | WASHER | M20 ZN DIN 125 | 4 | 0.02 |
| 20 | 3010999 | HEW SCREW | M20X30 8.8 ZN DIN 933 | 4 | 0 |
| 100 | 3133117 | HYDRAULIC HOSE | A50005-06-06/241T-06/A50054-06-06/L=670 TEX | 4 | |